

STEP & AISLE LIGHTING



LED'S AND BOARDS

The LED's boards are replaceable and rated for 12VAC only. Each board contains 4 LEDs available in ten colors: Blue, Green, Red, Amber, Yellow, and a variety of Whites - Rated 0.25W/Board.



W - WHITE
(W - 2700K)
(W - 3000K)
(W - 3500K)
(W - 4000K)
(W - 5000K)



G - GREEN



B - BLUE



Y - YELLOW



A - AMBER



R - RED

PERFORMANCE

STEP LIGHTING

LED SPACING	LED COLOR	WATTS PER MODULE	WATTS PER FOOT	MAX RUNS (80W)
9" O/C	WHITE / BLUE / GREEN AMBER / RED / YELLOW	.25W	.66W	75'
12" O/C	WHITE / BLUE / GREEN AMBER / RED / YELLOW	.25W	.50W	100'
18 O/C	WHITE / BLUE / GREEN AMBER / RED / YELLOW	.25W	.34W	145'

(DERATED 15%)

AISLE LIGHTING

LED SPACING	LED COLOR	WATTS PER MODULE	WATTS PER FOOT	MAX RUNS (80W)
9" O/C	WHITE / BLUE / GREEN AMBER / RED / YELLOW	.25W	.33W	150'
12" O/C	WHITE / BLUE / GREEN AMBER / RED / YELLOW	.25W	.25W	200'
18 O/C	WHITE / BLUE / GREEN AMBER / RED / YELLOW	.25W	.17W	200'

(DERATED 15%)

TRANSFORMERS



CLASS 2 MAGNETIC TRANSFORMERS

Secondary 5A protection provided
Isolated secondary output
Outdoor listed NEMA 3R enclosure
Dimmable with MLV dimmers only. ETL listed.
Meets UL157 1- 1838 and N.E.C. Article 411



CLASS 2 ELECTRONIC TRANSFORMERS WITH ENCLOSURE

Dimmable with standard triac dimmers.
Internal overload protection.
Aluminum enclosure included
Short runs and short remote distances only.

ACCESSORIES



PL - ADH
Adhesive



PL - LSL - WW
Wire way (Optional)

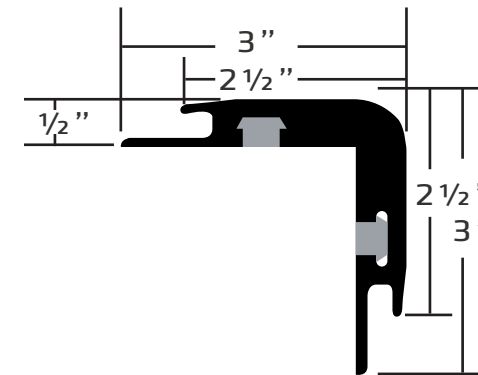


PL - LSL - L/R
Right End - Cap
Left End - Cap
(Optional)

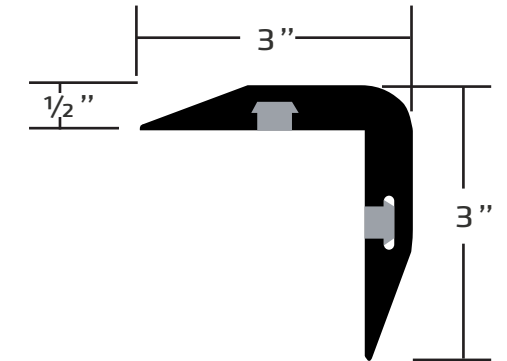
STEP LIGHTING

Our step lighting shines as your reliable guardian of safety and style. Designed to address those challenging spaces where light is limited, it ensures each step is brilliantly illuminated, offering peace of mind with every ascent and descent.

Configurations



PL - LSL - C/C
CARPET TO CARPET

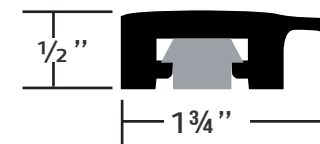


PL - LSL - F/F
FLOOR TO FLOOR

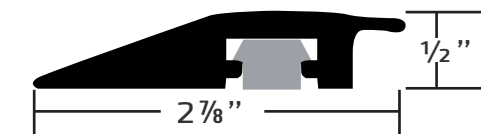
AISLE LIGHTING

Whether your design demands a subtle blend with the floor or a harmonious connection with the wall, our LED aisle lighting offers the perfect solution. Prewired runs up to 60' long for easy seamless installation and easily field trimmed or mitered for a perfect fit.

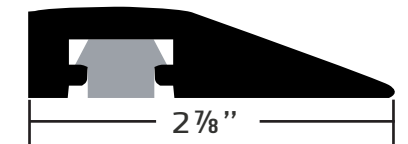
Configurations



PL - C/W
CARPET TO WALL



PL - C/F
CARPET TO FLOOR



PL - F/W
FLOOR TO WALL



PL - C/C
CARPET TO CARPET



PL - F/F
FLOOR TO FLOOR



STEP & AISLE LIGHTING

CONSTRUCTION

Precision extruded rubberized PVC runs that easily conforms to gentle curves. UL approved flame retardant with high grip properties for non slip benefits.

VARIETY OF LEDs

Each board contains 4 LEDs available in ten colors: Blue, Green, Red, Amber, Yellow, and a variety of Whites - Rated 0.25W/Board. The recessed modules are typically spaced in 9", 12" or 18".

EASY REPLACEMENT

The LED boards are replaceable and covered with a prismatic lens that is impact resistant polycarbonate.

TREAD TRIM CONFIGURATION

Numerous trim styles available for both step and aisle applications with edge details to transition from floor to floor, carpet to floor, carpet to wall, carpet to carpet, floor to floor, or floor to wall.



ONLINE PRODUCT PAGE



626.442.4600
25072 Anza Dr, Santa Clarita, CA 91355.
www.primuslighting.com



ONLINE BROCHURE

