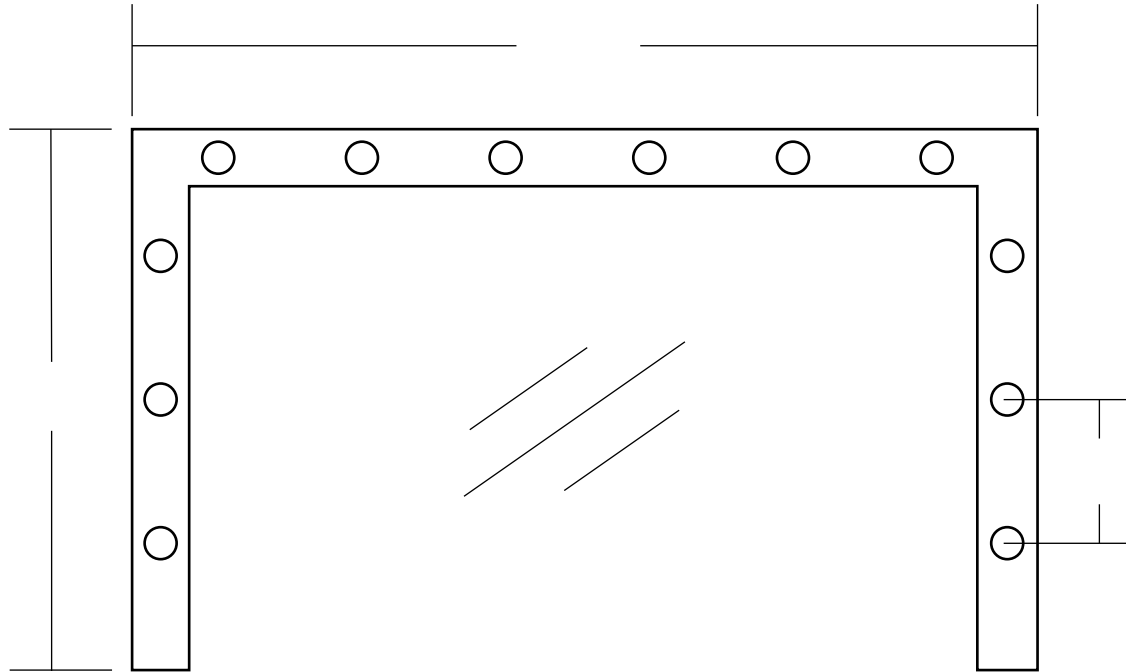


PATTERN 1
MIRROR MEASUREMENT REQUIREMENTS



SERIES	SPACING	CONFIGURATION	ACCESSORIES	LAMP	FINISH	PER ABOVE DIMENSIONS
RG3-MB 3" WIDE	6 6" O/C	ST STRAIGHT	RLG ROUND GUARD	SELECT FROM PAGE 2	S SATIN	SPECIFY
RG2-MB 2" WIDE	9 9" O/C	PAT PATTERN	SLG SQUARE GUARD		W WHITE	
	12 12" O/C		SW SWITCH		C CUSTOM	
	OTHER SPECIFY NO GUARDS FOR 6" O/C		DR DUPLEX RECEPTACLE			
			DR/USB RECEPTACLE WITH USB			
			GFI RECEPTACLE			

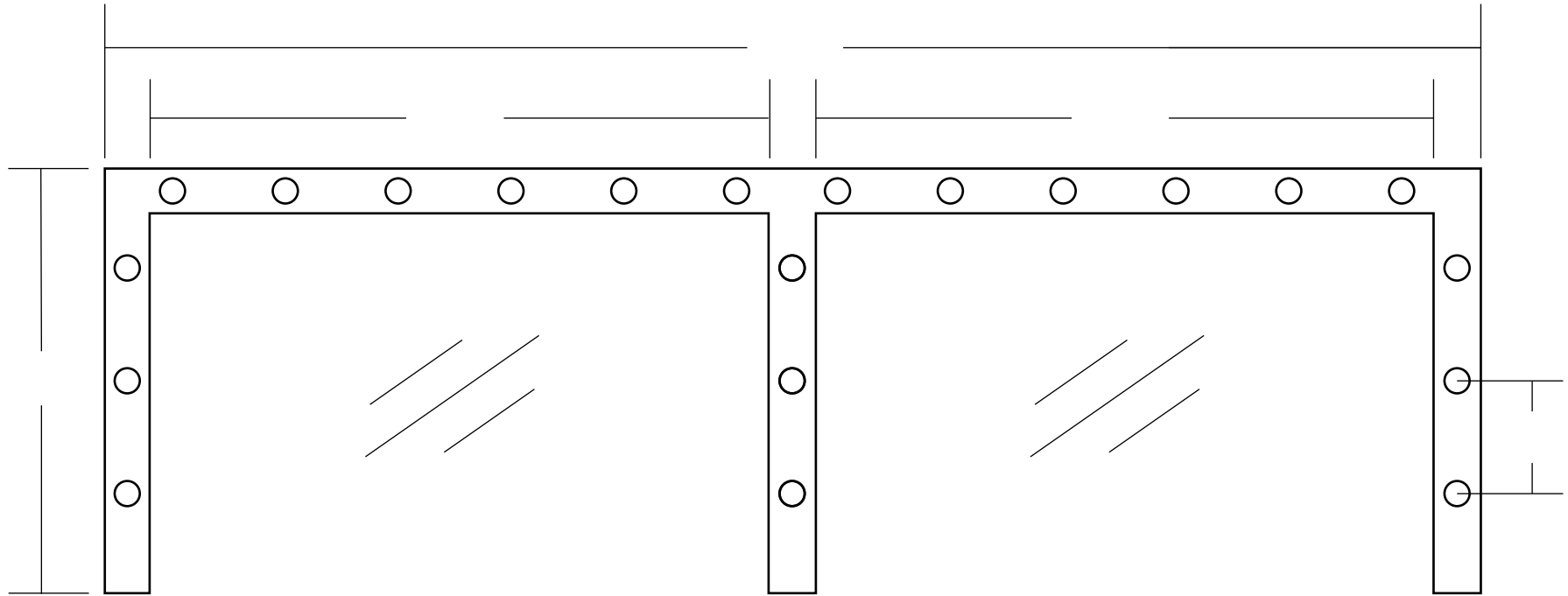


25072 Anza Dr
Valencia, CA 91355
661.495.5700
primuslighting.com

Job Name: _____
Part No: _____
SO / Quote No: _____
Approved By: _____

Type: _____
Dwg Date: _____
Revised Date: _____
Date: _____

PATTERN2
MIRROR MEASUREMENT REQUIREMENTS



						PER ABOVE	
SERIES	SPACING	CONFIGURATION	ACCESSORIES	LAMP	FINISH	DIMENSIONS	
RG3-MB 3" WIDE	6 6" O/C	ST STRAIGHT	RLG ROUND GUARD	SELECT FROM PAGE 2	S SATIN	SPECIFY	
RG2-MB 2" WIDE	9 9" O/C	PAT PATTERN	SLG SQUARE GUARD		W WHITE		
	12 12" O/C		SW SWITCH		C CUSTOM		
	OTHER SPECIFY NO GUARDS FOR 6" O/C		DR DUPLEX RECEPTACLE				
			DR/USB RECEPTACLE WITH USB				
			GFI RECEPTACLE				



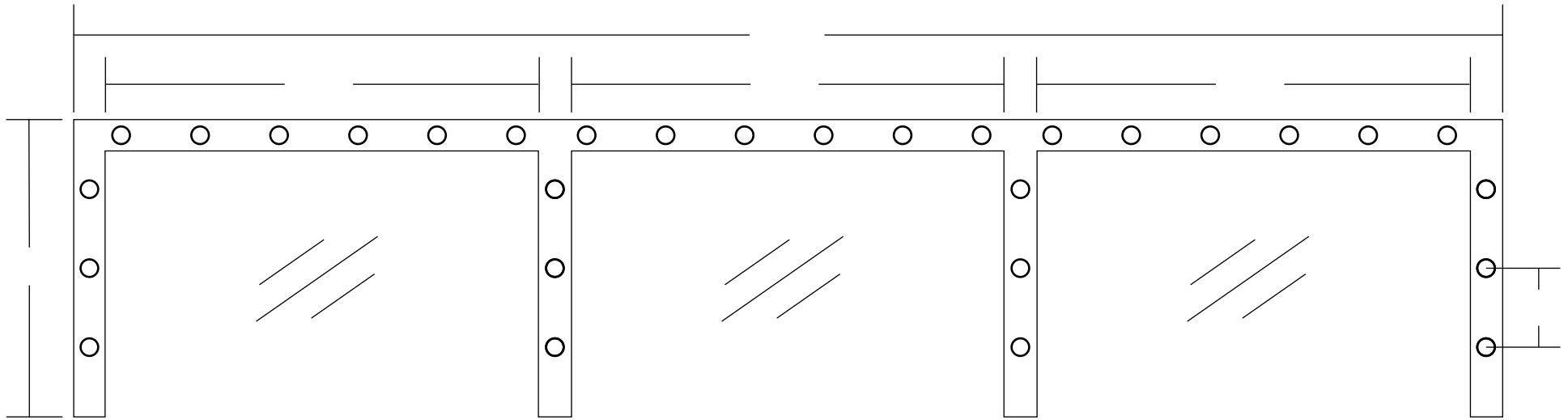
25072 Anza Dr
Valencia, CA 91355
661.495.5700
primuslighting.com

Job Name: _____
Part No: _____
SO / Quote No: _____
Approved By: _____

Type: _____
Dwg Date: _____
Revised Date: _____
Date: _____

PATTERN3

MIRROR MEASUREMENT REQUIREMENTS



						PER ABOVE	
SERIES	SPACING	CONFIGURATION	ACCESSORIES	LAMP	FINISH	DIMENSIONS	
RG3-MB 3" WIDE	6 6" O/C	ST STRAIGHT	RLG ROUND GUARD	SELECT FROM PAGE 2	S SATIN	SPECIFY	
RG2-MB 2" WIDE	9 9" O/C	PAT PATTERN	SLG SQUARE GUARD		W WHITE		
	12 12" O/C		SW SWITCH		C CUSTOM		
	OTHER SPECIFY NO GUARDS FOR 6" O/C		DR DUPLEX RECEPTACLE				
			DR/USB RECEPTACLE WITH USB				
			GFI RECEPTACLE				



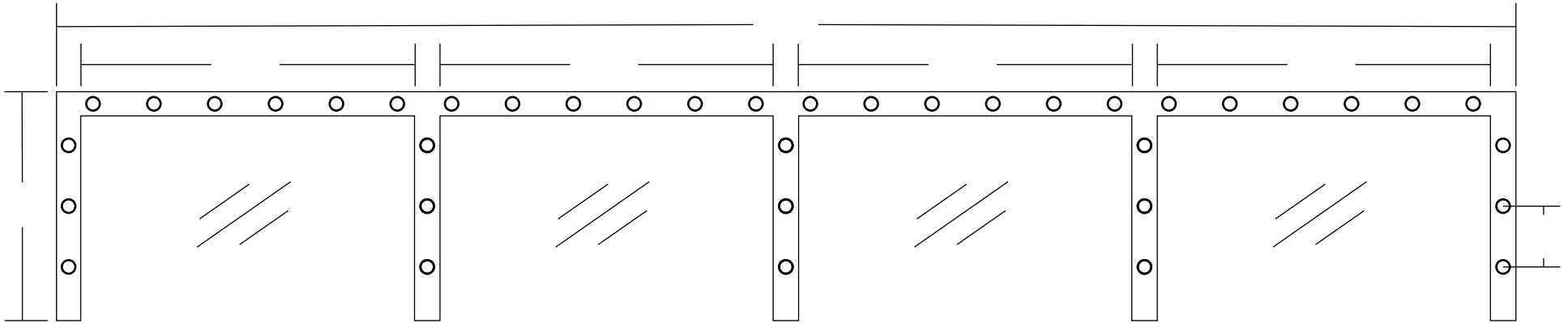
25072 Anza Dr
Valencia, CA 91355
661.495.5700
primuslighting.com

Job Name: _____
Part No: _____
SO / Quote No: _____
Approved By: _____

Type: _____
Dwg Date: _____
Revised Date: _____
Date: _____

PATTERN4

MIRROR MEASUREMENT REQUIREMENTS



SERIES		SPACING		CONFIGURATION		ACCESSORIES		LAMP		FINISH		PER ABOVE
												DIMENSIONS
RG3-MB	3" WIDE	6	6" O/C	ST	STRAIGHT	RLG	ROUND GUARD	SELECT FROM PAGE 2		S	SATIN	SPECIFY
RG2-MB	2" WIDE	9	9" O/C	PAT	PATTERN	SLG	SQUARE GUARD			W	WHITE	
		12	12" O/C			SW	SWITCH			C	CUSTOM	
			OTHER SPECIFY			DR	DUPLEX RECEPTACLE					
			NO GUARDS FOR 6" O/C			DR/USB	RECEPTACLE WITH USB					
						GFI	RECEPTACLE					

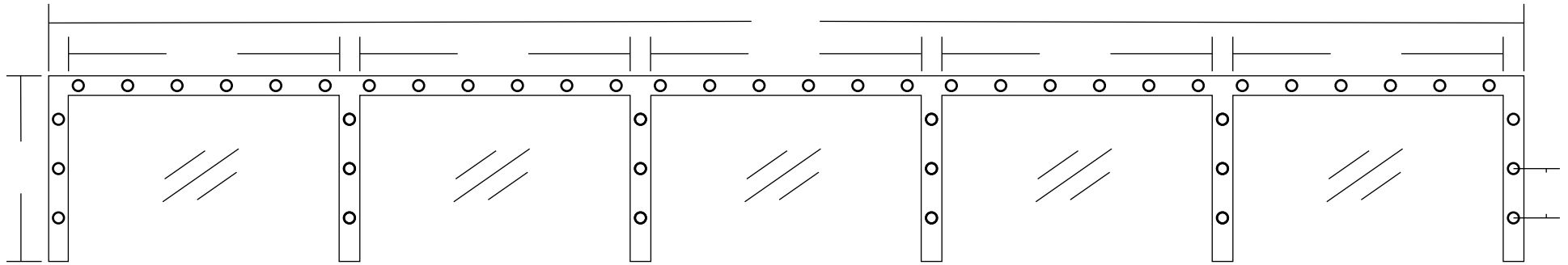


25072 Anza Dr
 Valencia, CA 91355
 661.495.5700
 primuslighting.com

Job Name: _____	Type: _____
Part No: _____	Dwg Date: _____
SO / Quote No: _____	Revised Date: _____
Approved By: _____	Date: _____

PATTERN5

MIRROR MEASUREMENT REQUIREMENTS



						PER ABOVE	
SERIES	SPACING	CONFIGURATION	ACCESSORIES	LAMP	FINISH	DIMENSIONS	
RG3-MB 3" WIDE	6 6" O/C	ST STRAIGHT	RLG ROUND GUARD	SELECT FROM PAGE 2	S SATIN	SPECIFY	
RG2-MB 2" WIDE	9 9" O/C	PAT PATTERN	SLG SQUARE GUARD		W WHITE		
	12 12" O/C		SW SWITCH		C CUSTOM		
	OTHER SPECIFY NO GUARDS FOR 6" O/C		DR DUPLEX RECEPTACLE				
			DR/USB RECEPTACLE WITH USB				
			GFI RECEPTACLE				



25072 Anza Dr
 Valencia, CA 91355
 661.495.5700
 primuslighting.com

Job Name: _____
 Part No: _____
 SO / Quote No: _____
 Approved By: _____

Type: _____
 Dwg Date: _____
 Revised Date: _____
 Date: _____