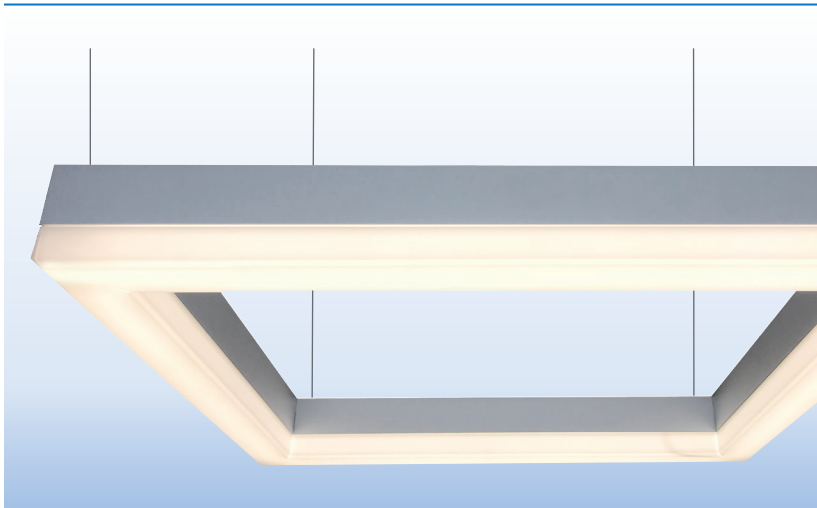


## LED SQUARES / CABLE SUSPENDED / SURFACE MOUNT

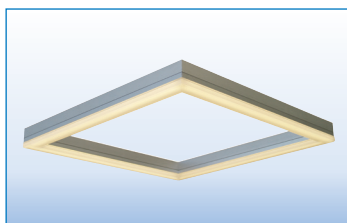


PROJECT:
TYPE:

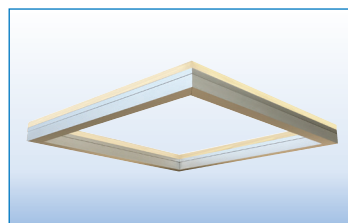
### SPECIFICATIONS

<b>DESCRIPTION</b>	Architectural LED squares, available with down light, up light, inside light or outside light options.
<b>HOUSING</b>	Extruded aluminum housing, 2" wide.
<b>FINISH</b>	Satin anodized or white paint finish standard. Custom finish optional.
<b>LENS</b>	Three styles (see page 2); White frosted acrylic, smooth uniformity and no pixelization.
<b>LED DRIVER</b>	Integral or remote ( <i>Included</i> ), universal voltage; 0-10V dimming standard; custom programmable.
<b>MOUNTING</b>	Cable suspended and surface mount: See page 3 for details and options.
<b>LED's</b>	(LED boards) 50,000 hours. (L70), 80 CRI, 2700K, 3000K, 3500K and 4000K.
<b>CERTIFICATION</b>	ETL/CSA listed for damp locations.  2001431  MADE IN THE USA

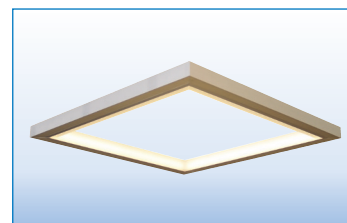
### OPTIONS



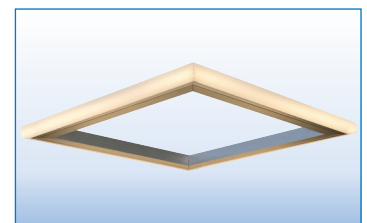
**Q2 - DL** – DOWN LIGHT



**Q2 - UL** – UP LIGHT



**Q2 - IL** – INSIDE LIGHT



**Q2 - OL** – OUTSIDE LIGHT

### PART NUMBER

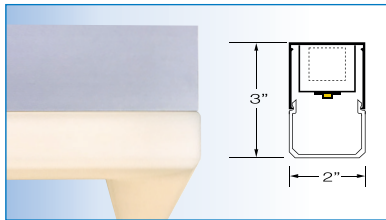
SERIES	LUMENS	COLOR	LENS	VOLTS	DRIVER	MOUNTING	CABLE	FINISH	FIXTURE SIZE
Q2 - DL	L LOW	27K 2700K	SQL SQUARE	UNV (120/277) 10% DIM	I INTEGRAL	SC STRAIGHT CABLE	36"	S SATIN	2' X 2'
Q2 - UL	M MEDIUM	3K 3000K	RLR ROUND	UNV 1% (120/277) 1% DIM	R REMOTE	PC PYRAMID CABLE	48"	W WHITE	3' X 3'
Q2 - IL	H HIGH	35K 3500K	FL FLAT			CC CENTER CABLE	72"	C CUSTOM	4' X 4'
Q2 - OL	CP CUSTOM PROGRAMMED (Specify Lumens/FT or Watts/FT)	4K 4000K				SM SURFACE			OTHER (SPECIFY)

## LUMENS & LED COLOR OPTIONS

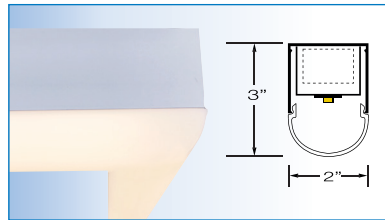
	SQ SIZE	WATTS	2700K	3000K	3500K	4000K
<b>LOW LUMENS</b>	2' SQ	28W	4000 L	4240 L	4280 L	4480 L
	3' SQ	42W	6000 L	6360 L	6420 L	6720 L
	4' SQ	56W	8000 L	8480 L	8560 L	8960 L
<b>MEDIUM LUMENS</b>	2' SQ	52W	6960 L	7320 L	7360 L	7760 L
	3' SQ	78W	10440 L	10980 L	11040 L	11640 L
	4' SQ	104W	13920 L	14640 L	14720 L	15520 L
<b>HIGH LUMENS</b>	2' SQ	72W	9280 L	9760 L	9800 L	10320 L
	3' SQ	108W	13920 L	14640 L	14700 L	15480 L
	4' SQ	144W	18560 L	19520 L	19600 L	20640 L

Higher lumen packages available.

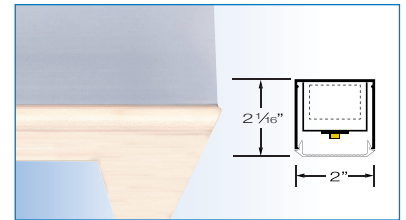
## LENS OPTIONS



**SQL** – SQUARE LENS



**RLR** – ROUND LENS



**FL** – FLAT LENS

## REMOTE LED DRIVERS WITH ENCLOSURE *(Included)*

Universal Voltage (120/277) 0–10V Dimming Standard  
Remote LED drivers recommended for easy maintenance.



WATTS	ENCLOSURE DIMENSIONS
1 – 50W	16" X 2" x 1 1/4"
2 – 50W	28" X 2" x 1 1/4" (ENCLOSURE W/ TWO DRIVERS)
1 – 85W	18" X 2" x 1 1/4"
2 – 85W	34" X 2" x 1 1/4" (ENCLOSURE W/ TWO DRIVERS)

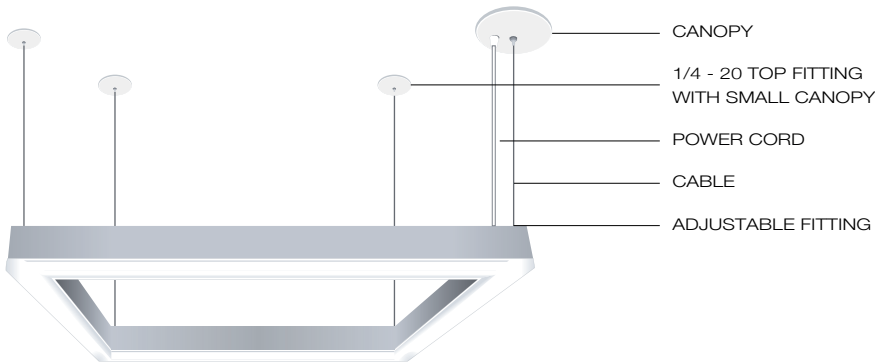
20' Max Remote Driver Distance

The chart below shows watts / fixture and driver requirements.

Some medium and high lumen fixtures require more than one driver; Refer to chart below.

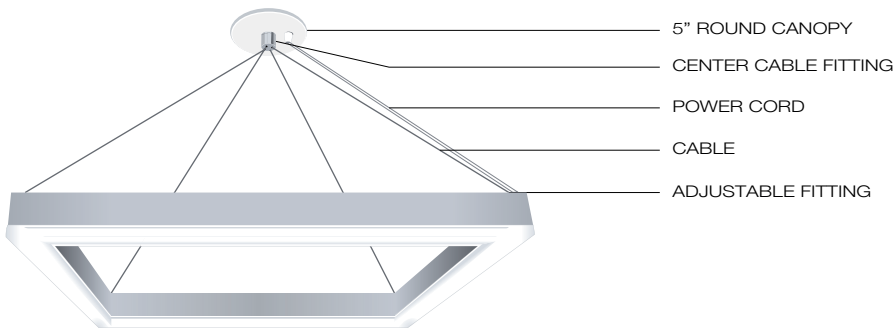
SQUARE SIZE	LOW LUMENS		MEDIUM LUMENS		HIGH LUMENS	
	WATTS	DRIVERS REQUIRED	WATTS	DRIVERS REQUIRED	WATTS	DRIVERS REQUIRED
<b>2' X 2'</b>	31W	1 - 50W	63W	1 - 85W	92W	2 - 50W
<b>3' X 3'</b>	47W	1 - 50W	95W	2 - 50W	138W	2 - 85W
<b>4' X 4'</b>	62W	1 - 85W	126W	2 - 85W	184W	4 - 50W

## MOUNTING OPTIONS



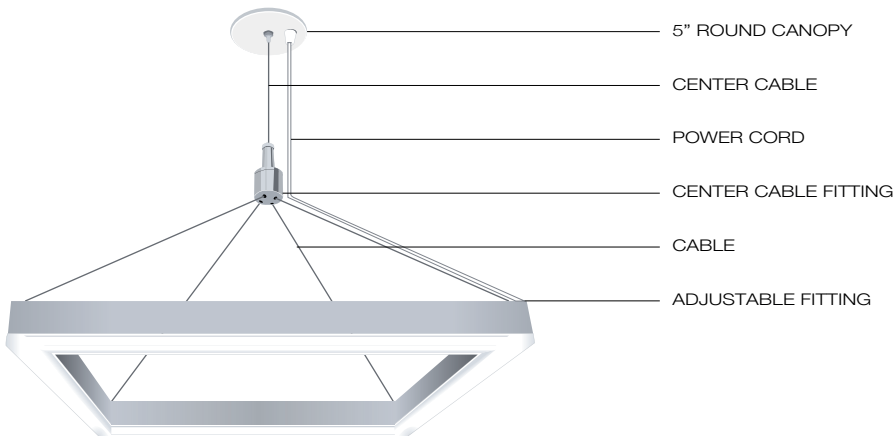
### SC – STRAIGHT CABLES STYLE

- Suspension Kit includes:
- (1) 5" Round Canopy with Mounting Hardware
  - (3) Top Fittings for 1/4-20 Rod with Small 2" Canopy
  - (1 or 2) Prewired 18/2 or 18/5 White Power Cord
  - (4) Aircraft Cables 36", 48" or 72"
  - (4) Adjustable Bottom Fittings



### PC – PYRAMID CABLES STYLE

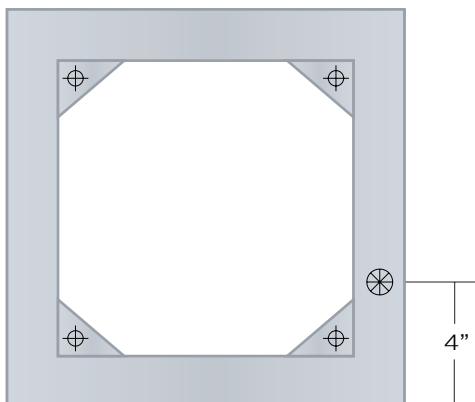
- Suspension Kit includes:
- (1) 5" Round Canopy with Mounting Hardware
  - (1 or 2) Prewired 18/2 or 18/5 White Power Cord
  - (1) Center Cable Fitting
  - (4) Aircraft Cables 36", 48" or 72"
  - (4) Adjustable Bottom Fittings



### CC – CENTER CABLE STYLE

- Suspension Kit includes:
- (1) 5" Round Canopy with Mounting Hardware
  - (1) Center Aircraft Cable 24" Std.
  - (1 or 2) Prewired 18/2 or 18/5 White Power Cord
  - (1) Center Cable Fitting
  - (4) Aircraft Cables 36", 48" or 72"
  - (4) Adjustable Bottom Fittings

\* Note: Fixture can rotate due to the flow of air in a given area.



### SM – SURFACE MOUNT

- ⊕ 1/4" Mounting Holes Provided
- ⊗ 1/2" Service Hole Provided for Snap in Connector

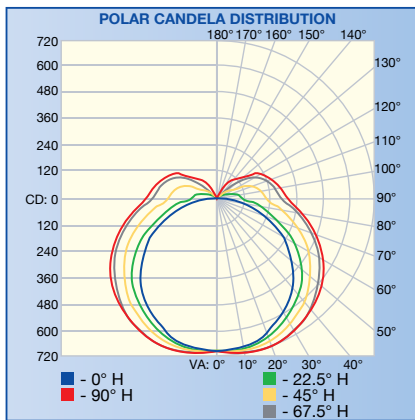
\* Position of mounting holes may vary; Consult Factory

## FIXTURE SIZES

	2' SQUARE		3' SQUARE		4' SQUARE	
	NOMINAL SIZE	ACTUAL SIZE	NOMINAL SIZE	ACTUAL SIZE	NOMINAL SIZE	ACTUAL SIZE
DOWN LIGHT	2' X 2'	24 3/4" X 24 3/4"	3' X 3'	35 1/2" X 35 1/2"	4' X 4'	46 3/4" X 46 3/4"
UP LIGHT	2' X 2'	24 3/4" X 24 3/4"	3' X 3'	35 1/2" X 35 1/2"	4' X 4'	46 3/4" X 46 3/4"
INWARD LIGHT	2' X 2'	25 3/4" X 25 3/4"	3' X 3'	36 1/2" X 36 1/2"	4' X 4'	47 3/4" X 47 3/4"
OUTWARD LIGHT	2' X 2'	26 1/2" X 26 1/2"	3' X 3'	37" X 37"	4' X 4'	47 3/4" X 47 3/4"

\* Outside dimension is 7/8" less with FL lens. Other sizes and rectangles available; Consult Factory

## PHOTOMETRICS / CANDELA DISTRIBUTION Photometrics available online or by calling the factory.

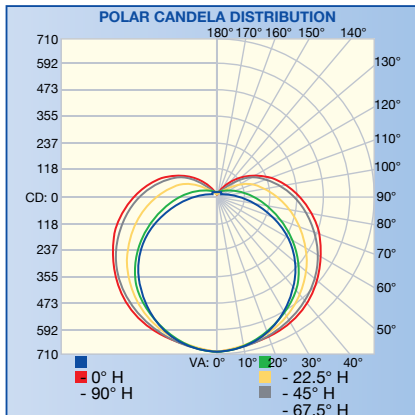


### SQL – SQUARE LENS

#### POLAR GRAPH

REPORT NO.: 103499092LAX-001

Based on 4' linear fixture at high lumens (35K 1076L/FT x 4' = 4304L)  
17216 L / 4'Square

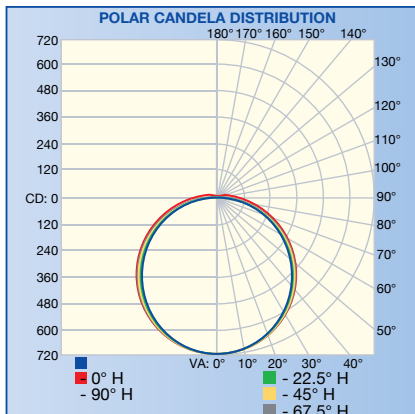


### RLR – ROUND LENS

#### POLAR GRAPH

REPORT NO.: 103499092LAX-002

Based on 4' linear fixture at high lumens (35K 1076L/FT x 4' = 4304L)  
17216 L / 4'Square



### FL – FLAT ROUND LENS

#### POLAR GRAPH

REPORT NO.: 103499092LAX-003

Based on 4' linear fixture at high lumens (35K 1076L/FT x 4' = 4304L)  
17216 L / 4'Square

SPECIFICATIONS ARE SUBJECT TO CHANGE DUE TO CONTINUOUS ADVANCES IN TECHNOLOGY  
PRIMUS LIGHTING, INC. ALL RIGHTS RESERVED