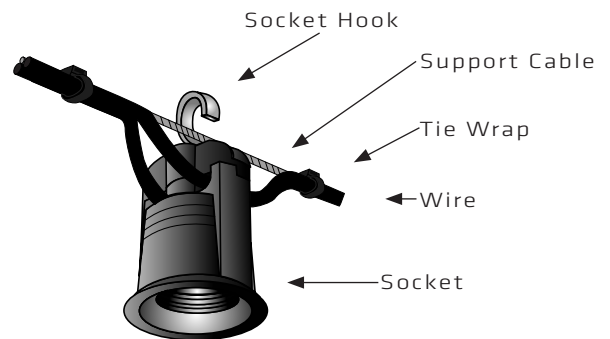
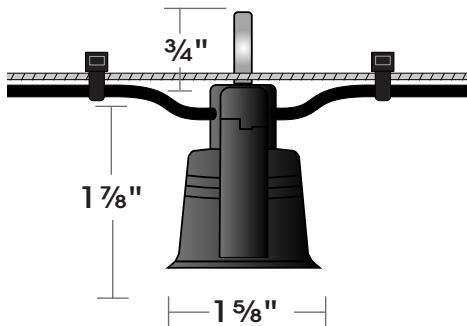


DECOSTRING Installation Guide



General Notes

- Product to be installed by a qualified electrician and in accordance with NEC and local codes
- Do not install on or nearby combustible materials
- Product is ETL listed and rated for wet, damp, dry, indoor & outdoor applications.

Product Description

Decostrings are a fully assembled and custom built-to-length suspended festoon lighting system. They are specifically ETL listed as a 120v system for permanent indoor, outdoor, dry, damp and wet location installation and locally manufactured to meet the quality expectations of municipal, commercial and theme park applications.

See Next Page For More Product Details

Construction Details

- Socket** Black phenolic, medium base UL weatherproof, with hooks for optional mounting. Socket standard spacing 12" o/c, 18" o/c, 24" o/c, 36" o/c, 48" o/c, 60" o/c or custom spacing.
- Power Cord** 12/2 G. Black flexible duplex cord, UV rated for extended outdoor use. 4' extra lead wire standard, provided with each run for power connections.
- Support Aircraft Cable** 3/32" 7x7 Stainless Steel support cable 920# test / 175# working load. 4' extra cable standard, provided on both ends of each run. Larger cable size available.
- Attachments** Black UV rated zip ties, approximately every 12" o/c to secure power cord to support cable.
- Termination & Suspension Hardware** Heavy duty stainless steel kits for suspension/termination available.
 "STK" Standard termination kit for drooped suspensions.
 "TBK" Turnbuckle termination kit for tensioned suspensions.
 "QL" Quick link for intermediate points
- Accessories** Optional brass, aluminum, steel and acrylic shades
- Lamps** Wet Listed LED, medium base, 120v, dimmable to 10% or less with trailing edge (ELV) dimmer. (SC) Silicone coating option available for food service applications.
- Silicone Grease Kit** 8oz bottle of silicone grease for field application to the lamp screw shell for more lamp and socket longevity, less maintenance and more protection against corrosion and harsh weather conditions.
- System Weight** System maximum working load not to exceed 175# per run, which includes lighting system, suspension/termination hardware kits, shades and lamps.
 The weight per / FT includes: socket, power wire, support cable, tie wraps and lamp, shade not included

12" O/C	18" O/C	24" O/C	36" O/C	48" O/C	60" O/C
0.24 lbs / ft	0.21 lbs / ft	0.20 lbs / ft	0.19 lbs / ft	0.17 lbs / ft	0.15 lbs / ft

- Listing/Labels** Each run is marked and labeled with the following labels: ETL (C/US) wet label, part number label, warning labels and made in USA label. Labels are attached to the power lead wire.
- Max Run Length** Each run is technically rated for a full 20 amp, 125 volts, 2500 watts. The maximum load per run we suggest is 16 amp, 1920 watts, which is the max NEC will allow in most cases on a 20 amp circuit. However this is never reached now with LED lamps. Maximum length is really controlled by both practicality and voltage drop. Extend the number of sockets by the lamp wattage (typically 1-3.5 watts ea.) to determine the total load per run.

Compliance Certifications



See Next Page For More Product Details

Important Installation Notes

NEC / Local Code Awareness

Be certain to consult local codes and the (**NEC**) National Electrical Code for installation details, limitations and requirements. Be specifically mindful of NEC 225-18 which dictates minimum suspended mounting heights. 10' minimum (**AFG**) above finish grade for pedestrian applications and 18' minimum (**AFG**) for vehicular applications.

Ordering Runs

Decostrings are ordered “by the foot” as a straight-line measurement between two suspension points without the need to figure in additional length for droop and attachment, 4' tails on each end are standard. Single straight suspensions offer the most accuracy in adjustment especially if runs are to be centered or intersect. If there is to be a zig zag pattern, originating from a single feed point, it is wise to add up all the leg lengths and add 1' per leg to allow for droop in each leg. Any extra length can be shortened up from the end of the run then the electrical cap re-secured with a shot of silicone.

It is not advisable to order a bulk length for field cutting as there will not be tails on each end and the individual cut lengths will not have **ETL** labeling.

Maximum single run length factory will produce, and ship is 500 Ft.

Structural Attachment

The attachment point on the building or poles are typically best served by a 1/4” eye for compatible fit with our suspension/termination hardware kits “**STK** standard termination kit” and “**TBK** turnbuckle kit” and the included 3/16 “**QL** quick link” that has a 5/16” gate.

Special caution must be used when installing extremely long or tensioned runs due to the increased lateral loading. Again, be mindful of **NEC** height limits and requirements.

Safety Warnings

- Do not install at less than 10' AFG (above finish grade) for pedestrians
- Do not install at less than 18' AFG (above finish grade) for vehicular
- Do not install this fixture within 6” of any curtain or similar combustible materials
- Do not install this fixture in hazardous locations
- Do not install over swimming pools (check local codes)
- Do not exceed 1920 watts per run (120v /20A derated circuit)
- Refer to NEC 225-xx for various articles regarding festoon lighting

See Next Page For Installation Steps

CAREFULLY REVIEW THE FOLLOWING INSTALLATION STEPS TO ENSURE THE PRODUCT IS INSTALLED SAFELY AND CORRECTLY. INSTALLATION MUST BE DONE BY A LICENSED AND QUALIFIED PROFESSIONAL. (FAILURE TO FOLLOW INSTRUCTIONS WILL VOID WARRANTY)

Installation Steps

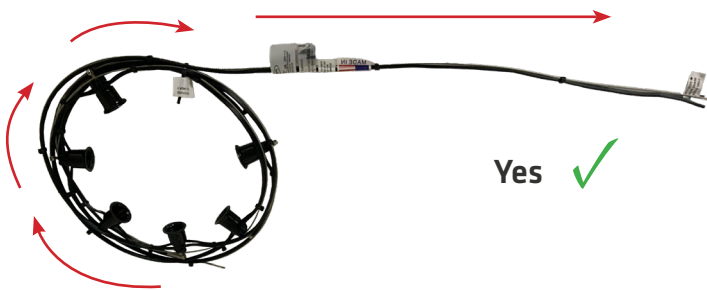
STEP 1

Run Identification - Begin the installation by Identifying the markings information on each run such as length, type, location or any other type of markings required by customer when the product was order.

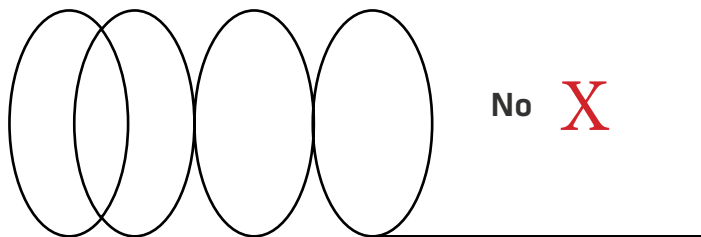
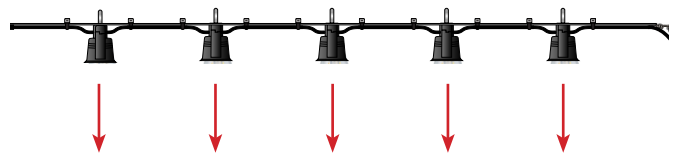


STEP 2

Uncoiling Runs - Position the power lead close to the area where power connection will be made and uncoil as shown in the illustration below to prevent twisted wire and sockets.



Sockets oriented downwards



STEP 3

Termination/Suspension Kits & Support Cable. Take rough measurements and loosely install the termination kits on each end of the support aircraft cable. The product can then be installed and adjusted to the proper droop before fully securing the cable clamps. The quick links make for easy attachment and removal. See options and details below.

(STK) - STANDARD TERMINATION KIT (For drooped suspensions)

Standard termination kit includes stainless steel hardware for both ends of the run:

- (2) - 1/4" Quick links 5/16" gate
- (2) - 3/32" thimbles
- (4) - 3/32" Cable clamps



(TBK) - TURNBUCKLE TERMINATION KIT (For tensioned suspensions)

Turnbuckle termination kit includes stainless steel hardware for both ends of the run:

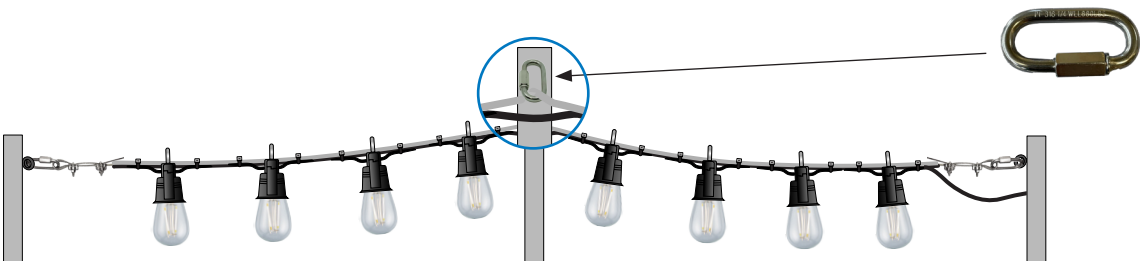
- (2) - 1/4" Jaw style turnbuckle
- (2) - 3/32" Thimbles
- (6) - 3/32" Cable clamps



(QL) - QUICK LINK KIT (For intermediate points)

Quick link kit includes stainless steel hardware for intermediate points on continuous zig-zag or pattern runs:

- (1) - 1/4" Quick link 5/16" gate



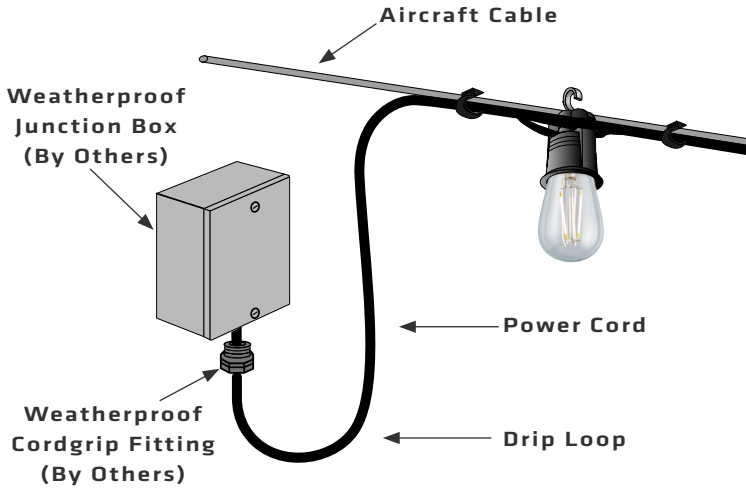
Decostrings Without Support Cable . Occasionally Decostrings are ordered without the customary support cable and termination kits. To be in compliance with **NEC 225-13**, it is recommended that the strings be mounted to customer supplied support cable using a similar-to-factory attachment method such as zip ties at 6" o/c increments, or similarly attached to a trellis type overhead structure using zip ties or the socket hook attachment.

STEP 4

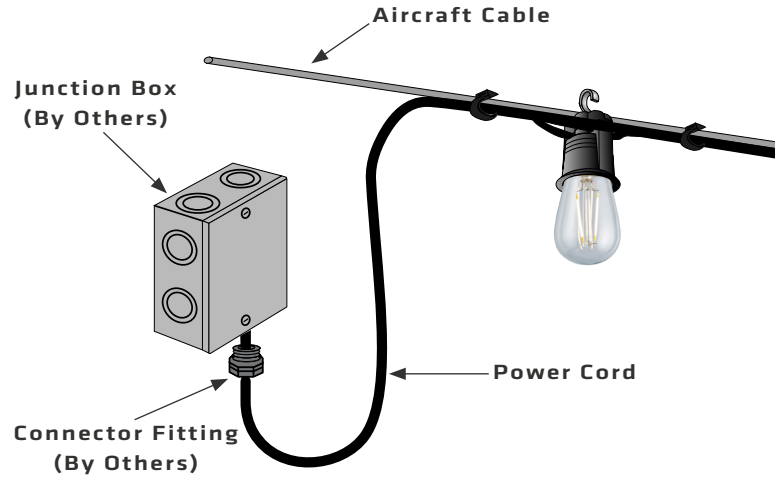
Power Connections. Refer to the corresponding options and details below.
Any electrical hardware required to be provided by others.

Electrical connections must be made by a qualified electrician and according to local and NEC.

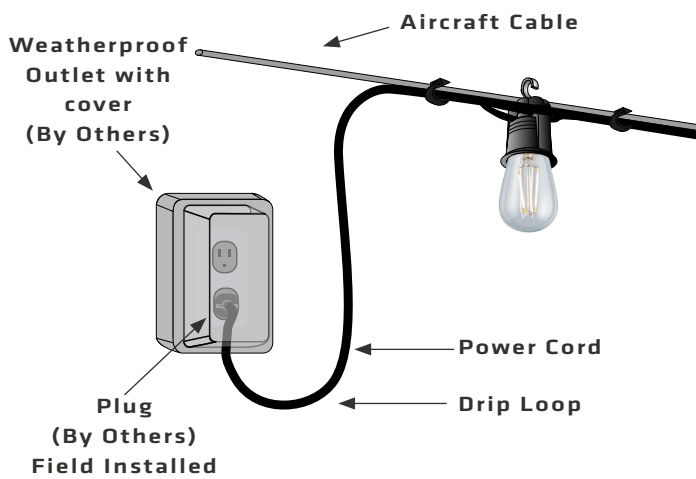
HARDWIRE / WET LOCATION



HARDWIRE / DRY, DAMP LOCATION

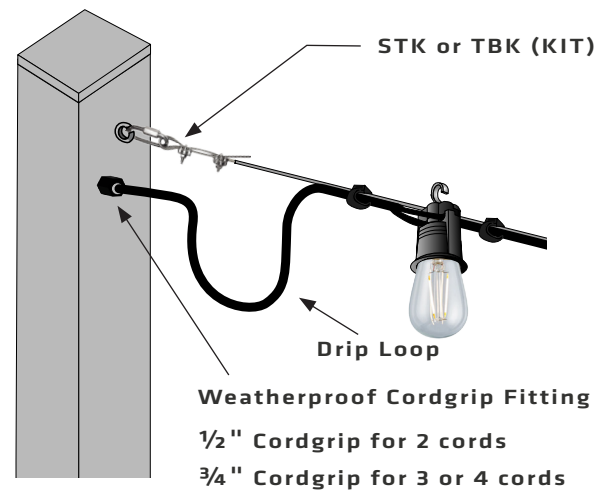


POWER PLUG / DRY & WET LOCATION



Power plug, must connect to a weatherproof outlet with cover.
GFCI not recommended due to false tripping.

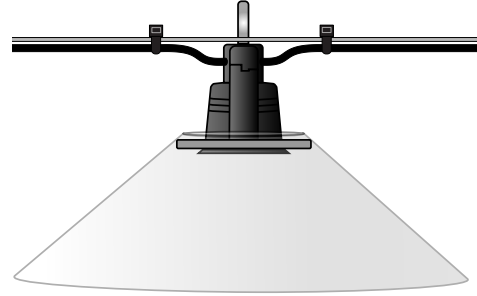
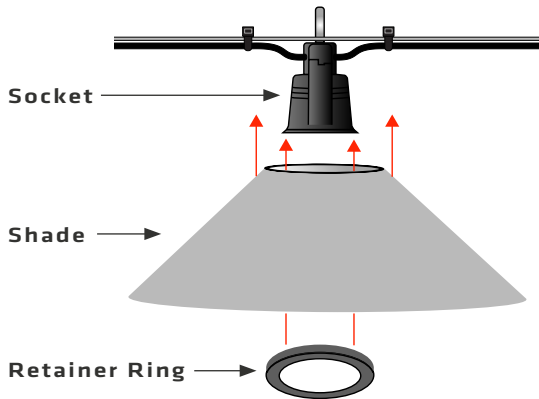
POLE HARDWIRE / WET LOCATION



Pole connection can include a cord grip at the top /side of the pole with wiring connections protected under the pole cap.

STEP 5

Shades Installation. Some shades are shipped pre-installed on the sockets, while others need to be field installed. See Instructions and illustrations below for field installed shades
Slide the socket through the top hole of the shade, stretch and push the retainer ring over the socket flange. The shade is designed to move slightly but will remain securely in place.



STEP 6

Socket & lamp protection, maintenance and longevity.

To minimize corrosion and potential lamp seizing in extreme conditions, Primus Lighting requires a thin film of silicone grease be applied to the lamp screw shell before lamping. We include our “SGK” Silicone Grease Kit with every order, which includes an 8oz bottle, application brushes and a towel. This will add extra protection for corrosion in harsh conditions such as coastal or over salted roads.

(SGK) Silicone Grease Kit

Apply silicone grease all around the base of the lamp before screwing the lamp into the socket



STEP 7

Lamps Installation. Fine tune the socket orientation confirming they are all pointing down. Complete the installation by installing the lamps.

In windy installations, a small dot of clear silicone in the margin between the socket and screw shell can help lock the lamp in place and guard against working loose.

Bare Lamps Installation



Shade Lamps Installation



Dimming

All cataloged lamps will dim to 10% or less when controlled by a trailing edge (ELV) dimmer.

GFCI

Using a ground fault device is not a bad idea for exterior circuits but not recommended. By design, GFCIs are extremely sensitive devices and can cause nuisance false tripping on wet or very foggy nights. A harmless 2-ohm leak x 100 sockets suggest a fault to the GFCI when all is perfectly safe. Be aware of this potential condition if you are connecting Decostrings to GFCI.

According to NEC, GFCI protection is required for outlets within 6 feet of the ground, but not for those 6 feet or higher.

NEC also specifies that Decostrings must be mounted at a minimum height of 10 feet. Since this exceeds the 6-foot threshold for GFCI requirements, GFCI protection is technically not required for Decostrings.

Safety Warnings

- Do not install at less than 10' AFG (above finish grade) for pedestrians
- Do not install at less than 18' AFG (above finish grade) for vehicular
- Do not install this fixture within 6" of any curtain or similar combustible materials
- Do not install this fixture in hazardous locations
- Do not install over swimming pools (check local codes)
- Do not exceed 1920 watts per run (120v /20A derated circuit)
- Refer to NEC 225-xx for various articles regarding festoon lighting

Please contact the factory with any questions: 626 - 442 - 4600

Installation Completed