

### Read and understand the following product and safety instructions to ensure a successful installation

#### **Product Description**

DECOBAR expands on our popular single point Decodrops by configuring them as a linear array of pendants by mounting them as a group to an extruded channel. Several channel sizes are available which can be configured as straight runs, patterns, or curved shapes.

The channel itself can be surface mounted or cable suspended to the structure above while maintaining ETL wet listing. The drop fixtures hanging below are offered in an unlimited number of shapes, sizes, finishes and materials. Most LED lamp sources are 120v and can “dim to off” using a TE dimmer. Where safety is paramount, a 12v system is also available which requires a remote class II transformer.

#### **Product Applications**

DECOBARS are a fun solution for both general ambient illumination as well as to emphasize feature areas. Being outdoor wet rated they are very appropriate to illuminate open pergolas and trellises as well as breezeway canopies exposed to weather.

DECOBARs are at home in outdoor hospitality and theme park environments for year round use and stand the test of time much like our famous Decostrings.

#### **Product System Components / Features**

##### **Mounting Channel:**

Four profiles of extruded aluminum mounting channel are available up to 12’ long or continuous with butt seams. Snap together construction and safety screws.

##### **End Caps:**

Matching aluminum end caps with optional K/O if required.

##### **Finish:**

Clear satin anodized, white or black powder coat, and custom powder coat to match RAL#

##### **Optional Suspension Hardware:**

Allows for a cable suspended channel including top 1/4-20 fittings, adjustable bottom fitting, support and power cables, Length as required.

#### **Decodrop Fixture Features:**

##### **Socket:**

Glazed Porcelain nickel plated screw shell socket. Medium Base, grounded style with cast threaded top cap.

**INSTALLATION MUST BE DONE BY A PROFESSIONAL OR QUALIFIED ELECTRICIAN**

### Power Cord:

Jacketed, three conductor, UV and wet rated 18/3 or 16/3 power cord with either SVT, SJT or SO outer jacket. Black standard, White available

### Cord Grips:

Nylon UV rated cord grips secure the power cord to the fixture top. A second cord grip with a trade 1/2" male fitting is supplied to secure the cord end to the predrilled mounting holes as specified in the aluminum channel. Black standard, Gray available.

### Decorative Shades:

The socket is protected from direct exposure by either a simple socket cup or a decorative shade in a variety of shapes, sizes and in a range of materials from metal, acrylic to glass. They are shipped as a complete assembly ready to lamp and hang.

### Lamps:

Decobar lamps are low output, medium base LED. They are specifically wet location listed, suitable for direct and exposed use outdoors, and are available in a variety of shapes, lumen outputs, and color temperatures. Standard S14 and G16.5 lamps are cataloged however other selections are available on special order. Primus Lighting lamps all have a glass outer jacket to preserve clarity and resist yellowing after years in the elements. Silicone coating "SC" for lamp breakage containment can be added for food service compliance.

### 120v vs 12VAC:

Decobars are all manufactured to the most stringent wet location standards and are ETL listed for 120v. used in wet, damp, or dry locations. The product labeling will specify maximum lamp ratings including voltage and wattage to satisfy T24. Low Voltage (12VAC) systems are available, will be marked accordingly, and will require a remote low voltage transformer as well as a 12v lamp. Several Decobar fixtures can be served by a single transformer within ratings. We recommend Class II transformers for their inherent safety.

### Dimming:

120v lamps feature "dim to off" performance when controlled by an TE/trailing edge dimmer. Commonly known is that lightly loaded dimmers do not have as smooth of a response curve as one more heavily loaded / saturated. Load your dimmers.

12 volt systems are best suited for static "non dimmed" use.

**See Next Page For Installation Steps**

**INSTALLATION MUST BE DONE BY A PROFESSIONAL OR QUALIFIED ELECTRICIAN**

# DECOBAR - (DB) SERIES

## INSTALLATION STEPS 1-2



### STEP 1

#### Identify and open boxes

Begin by opening all boxes to locate the fixture drops, lamps, mounting channel and hardware.

Drops & Lamps Box

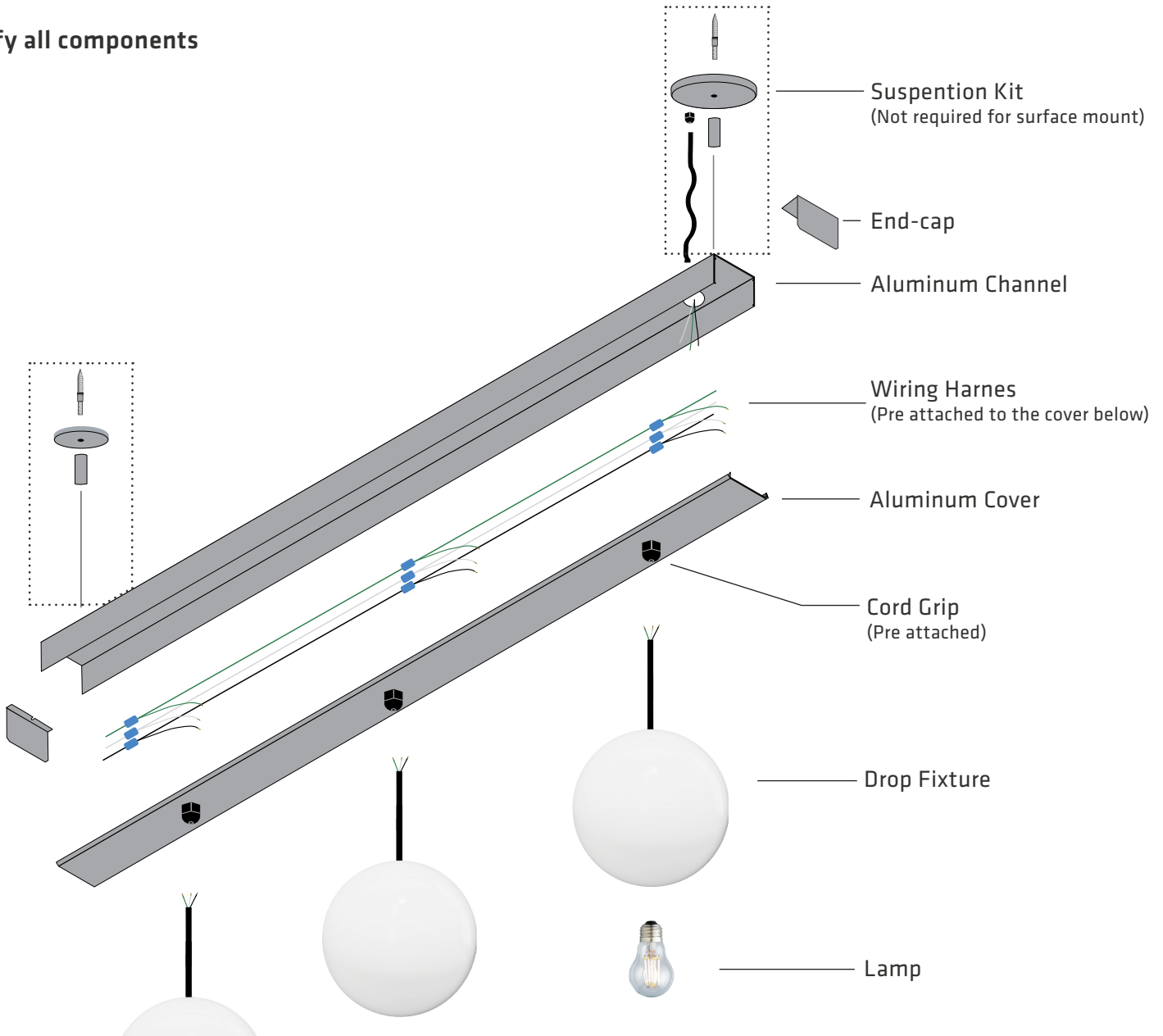


Mounting Channel  
& Hardware Box



### STEP 2

#### Identify all components

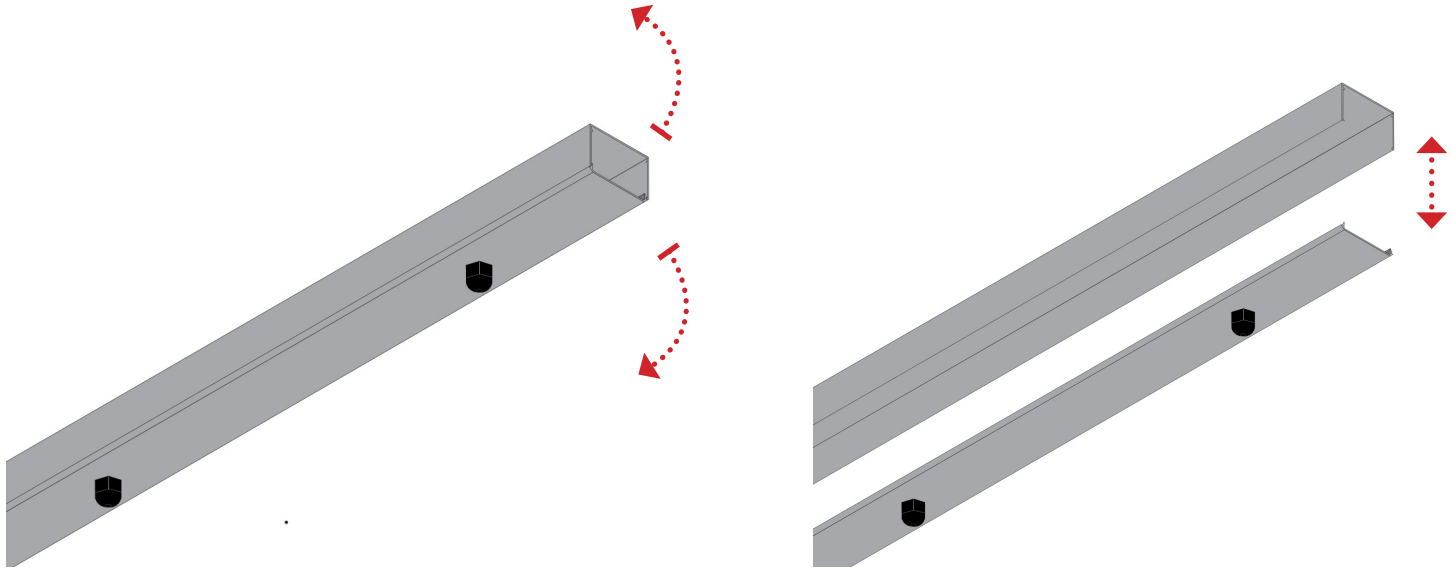


### PREPARE MOUNTING CHANNEL

#### STEP 3

##### Open/separate mounting channel

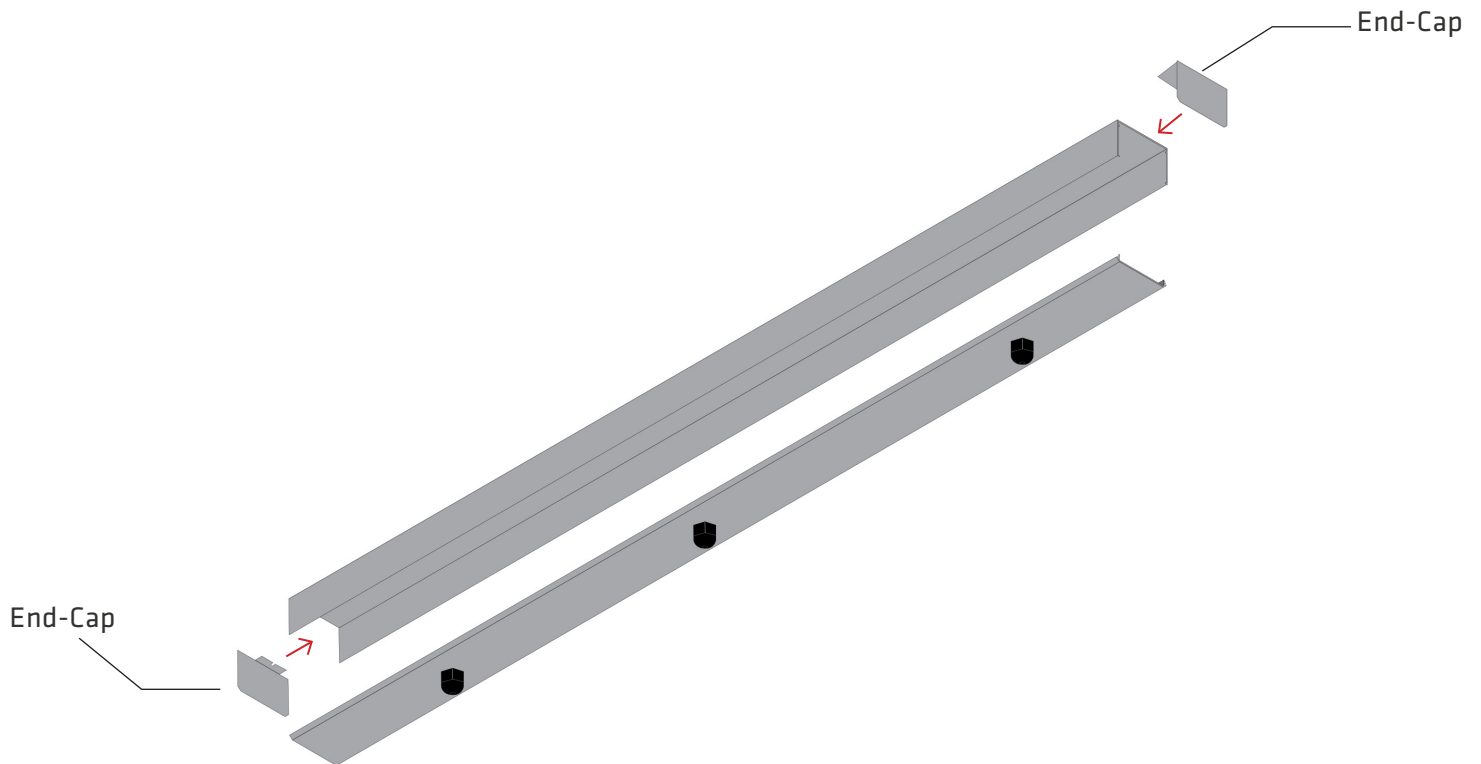
Snap open the 2-piece mounting channel in the direction of the arrows shown below.



#### STEP 4

##### Attach End-caps

Attach end-caps on both ends of the mounting channel and secure them using the provided screws.

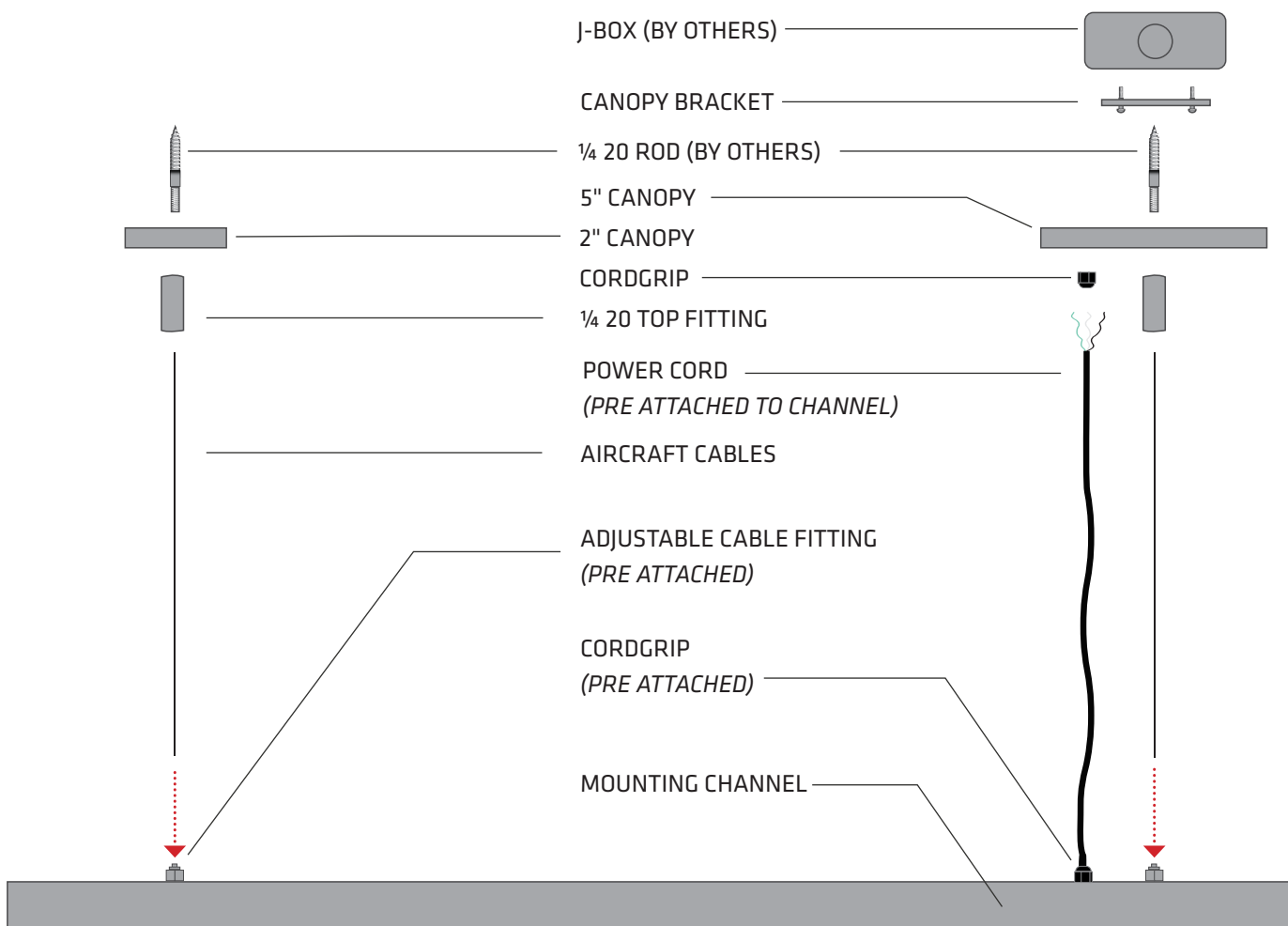


### CABLE SUSPENDED (DRY / DAMP)

#### STEP 5

#### Install Suspension Kit & Mounting channel

- Install 1/4-20 studs and J-Box (By Others)
- Hang mounting channel using cables and fittings provided, adjust and level as required
- Make up electrical connections and secure canopy with thumb nut



#### EACH SUSPENSION KIT INCLUDES:

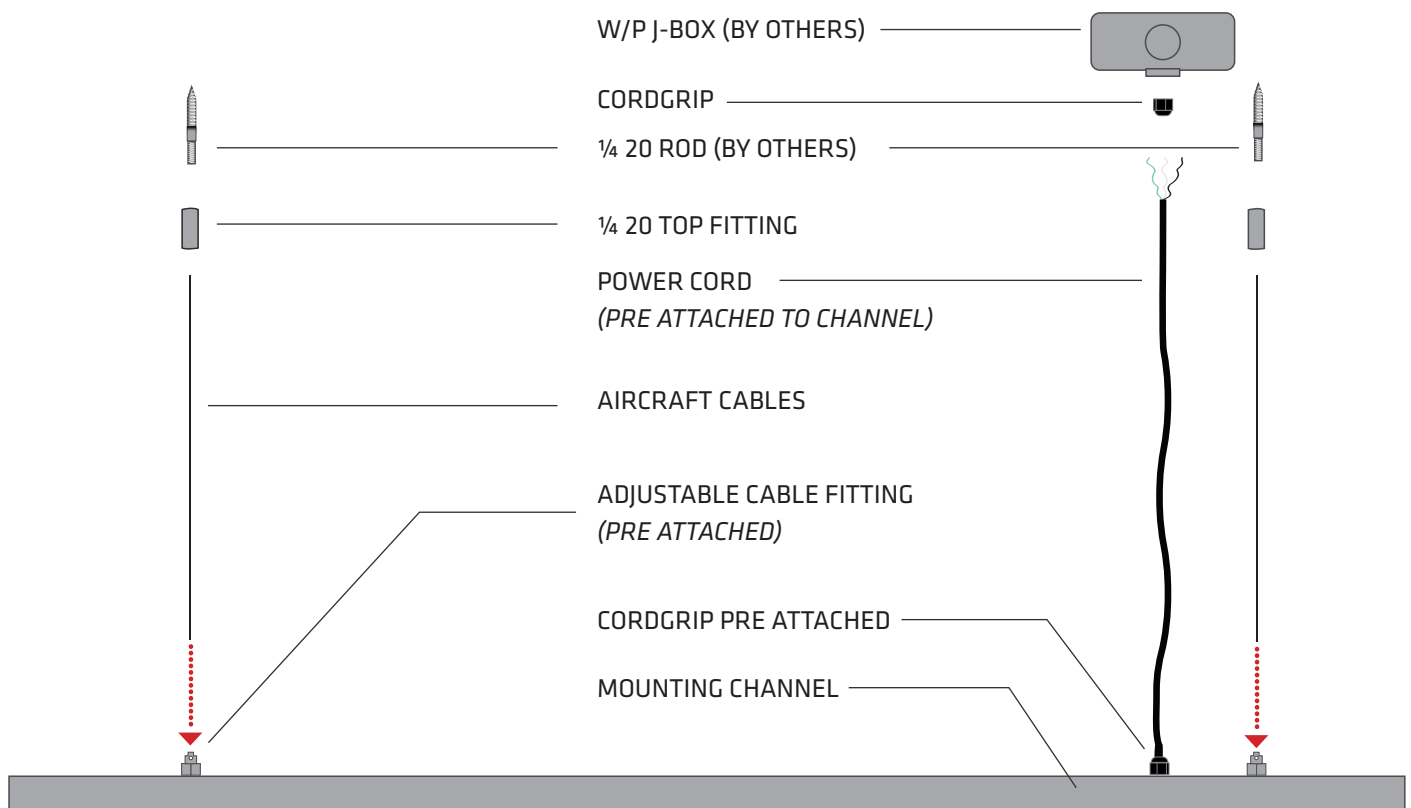
- (2) Top Fittings for 1/4-20 Rod (*1/4-20 Rod by Others*)
- (2) Adjustable Bottom Fittings pre attached to mounting channel
- (2) Aircraft Cables
- (1) 5" Canopy With Mounting Hardware
- (1) 2" Canopy
- (1) Prewired to mounting channel 18/3 Black or White Power Cord
- (1) Cord grip

### CABLE SUSPENDED (WET)

#### STEP 5

#### Install Suspension Kit & Mounting channel

- Install 1/4-20 studs and wet location J-Box (By Others)
- Hang mounting channel using cables and fittings provided, adjust and level as required.
- Make up electrical connections using the provided cord grip.



#### EACH SUSPENSION KIT INCLUDES:

- (2) Top Fittings for 1/4-20 Rod (1/4-20 Rod by Others)
- (2) Adjustable Bottom Fittings (side exit) pre attached to mounting channel
- (2) Aircraft Cables
- (1) Prewired to mounting channel 18/3 Black or White Power Cord
- (1) Cord grip

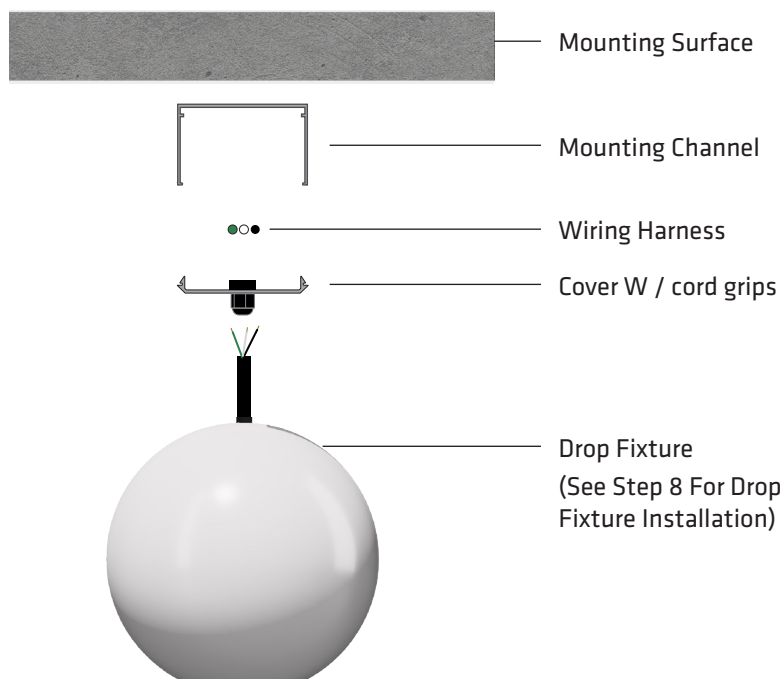
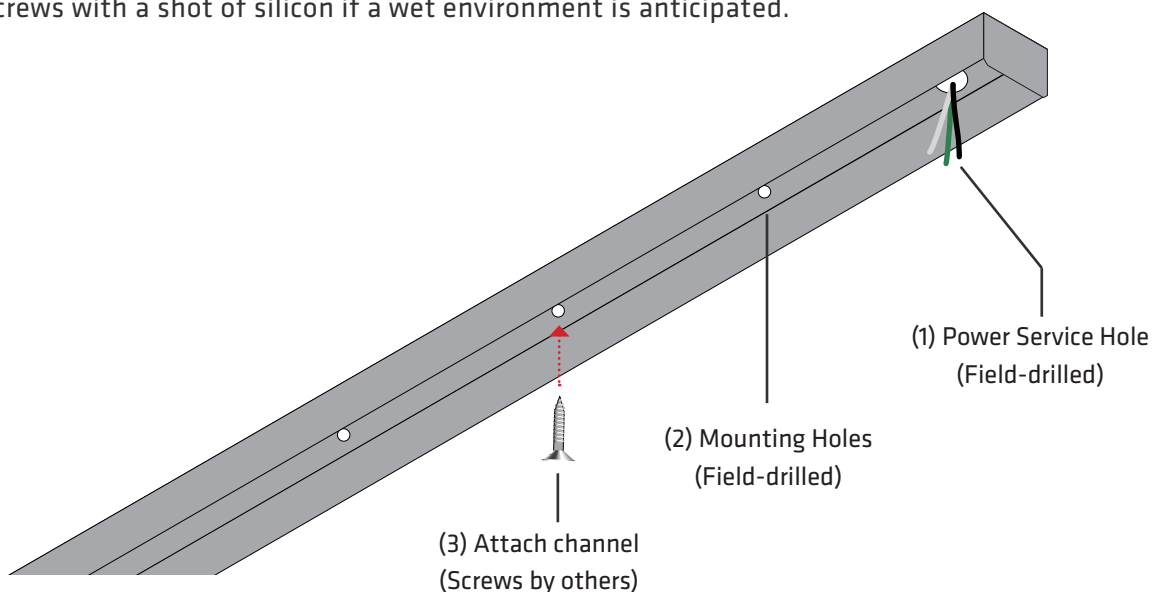
### SURFACE MOUNTING (DRY / DAMP / WET)

#### STEP 7

#### Install Mounting Channel

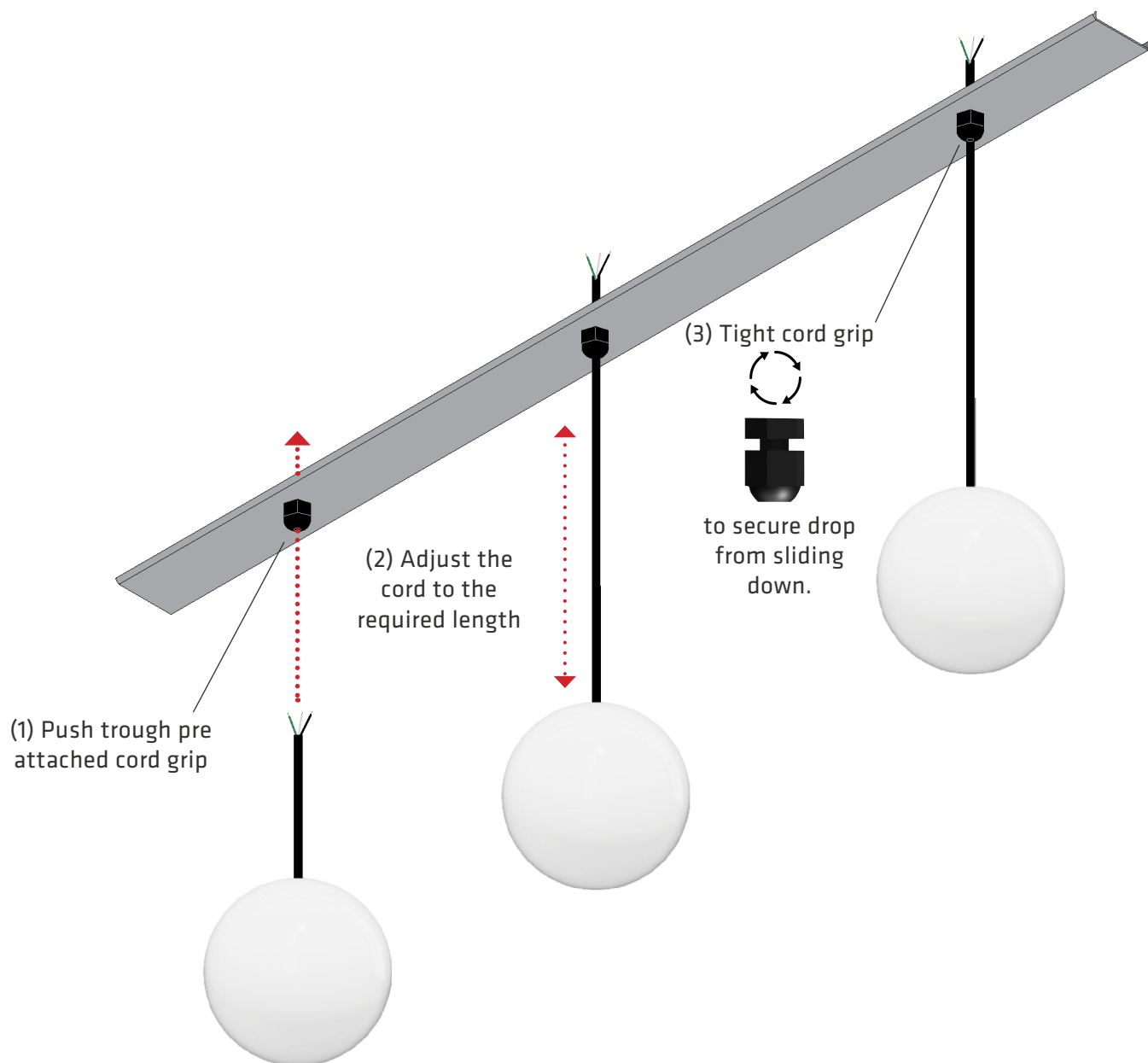
(Mounting channels are shipped undrilled for maximum field versatility.)

1. Fieldrill power service hole at the required location on the mounting channel.
2. Fielddrill mounting holes as required, enough holes and screws must be provided to secure the weight of the fixture (12" O/C holes are recommended for fixtures with larger drops)
3. Attach the mounting channel to the mounting surface using appropriate hardware (provided by others). It is wise to seal the screws with a shot of silicon if a wet environment is anticipated.



### ATTACH DROP FIXTURES

**STEP 8**  
**Drop Fixture attachment**  
Attach the drop fixtures to the cover section of the aluminum mounting channel using the pre attached cord grips, as shown in the drawing below.



*Lamps can be installed at the end of this step or at the final step*



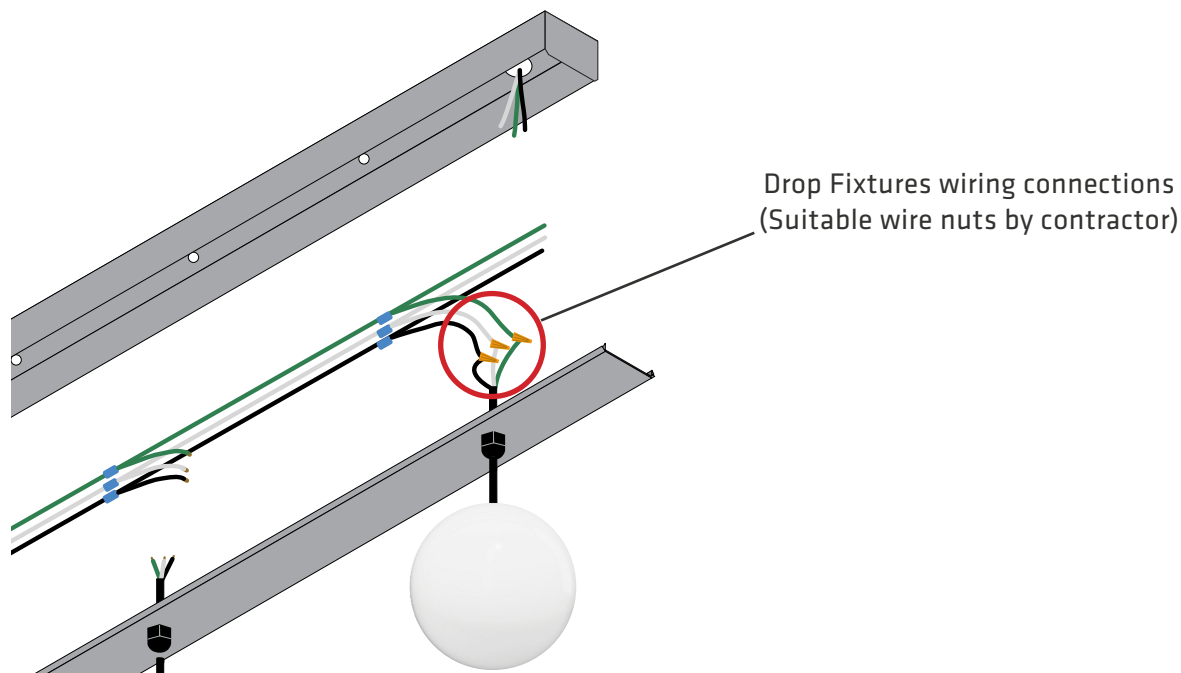
### WIRING CONNECTIONS

#### STEP 9

##### Drop Fixtures wiring connections

A wiring harness is included to simplify and expedite the electrical make-up.

Connect the wiring harness to each of the drop fixture as indicated on the drawing using wire nuts suitable for application (wire nuts by contractor).

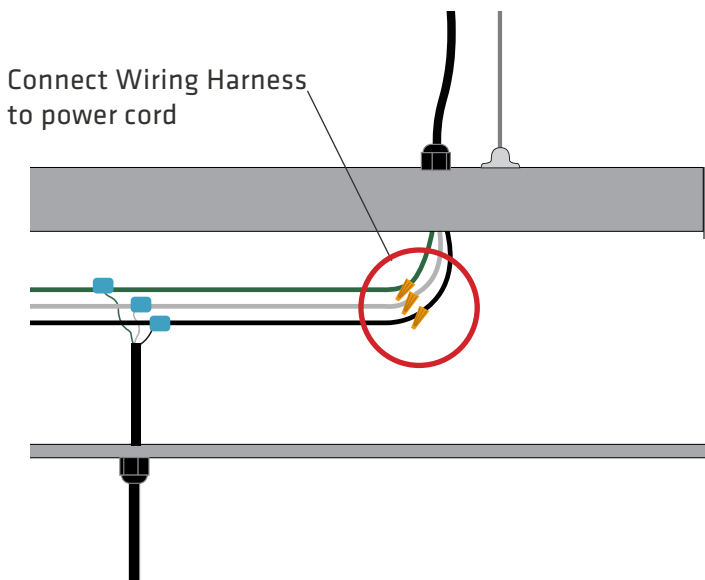


#### STEP 10

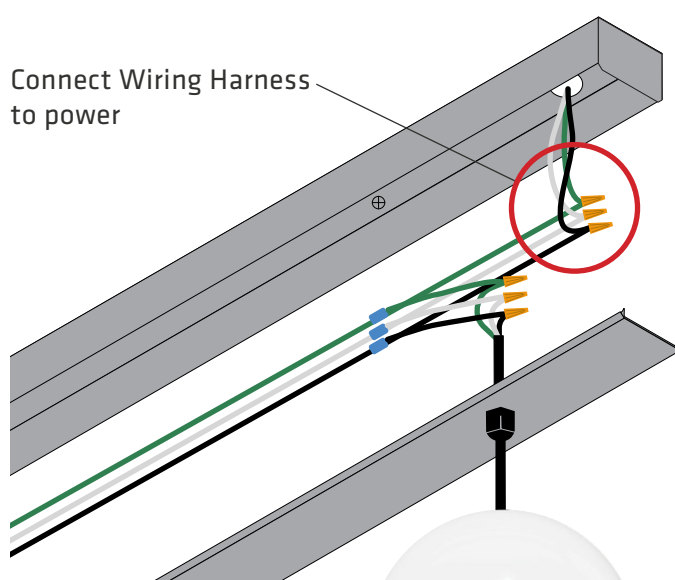
##### Connect Wiring Harness to power

Make the final wiring harness connection to the power. As shown in the drawings below.

#### CABLE SUSPENDED



#### SURFACE MOUNT

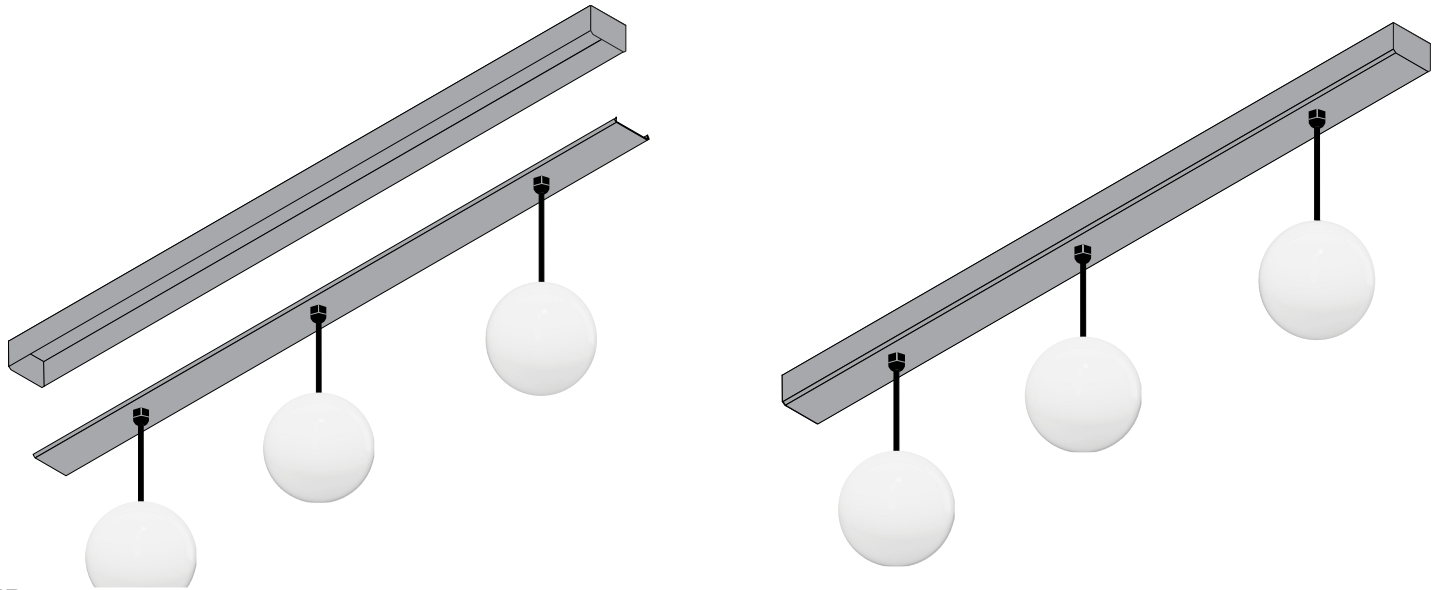


### FINAL ASSEMBLY

#### STEP 11

##### Close Fixture

Snap together the channel and cover.

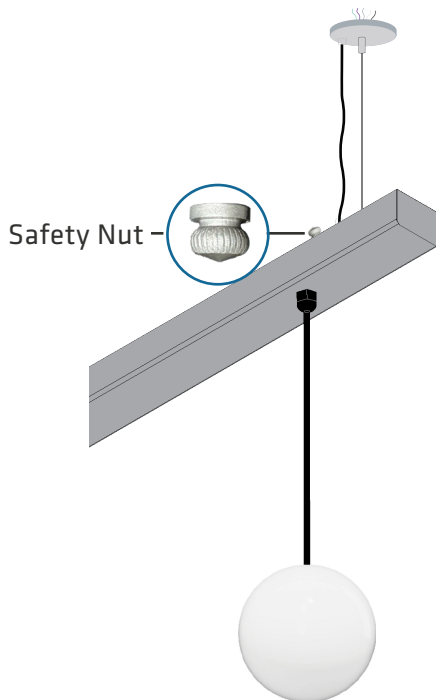


#### STEP 12

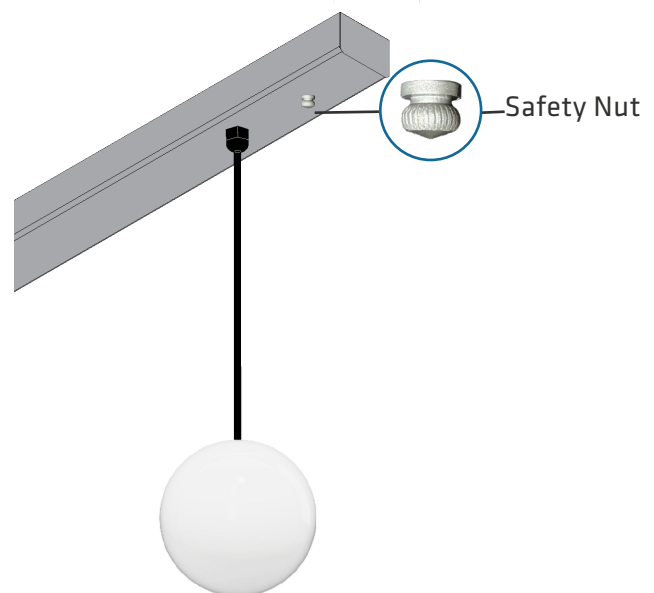
##### Safety Nut

Secure channel cover with the provided safety nut.

#### CABLE SUSPENDED



#### SURFACE MOUNT



#### STEP 13

##### Install Lamps

Lamps can also be installed after step # 8 is completed

## Additional Important Installation Notes

### Pergola or Trellis Mount:

*Decodrops and Decobars* are a perfect solution to illuminate structures with a ceiling open to the sky. The fixtures can be mounted directly to a series of weatherproof j boxes with a 1/2" cover using the supplied 1/2" cord grip allowing easy height adjustment. *Decobars* provide a wet location channel mounted solution. We recommend contractor supplying matching W/P box and cover to eliminate any compatibility variances.

Alternate mounting is to tie the cord to a crossmember using UV rated zip ties and route the cord ends to group multiple terminations to W/P j-box.

### Exterior Canopy Mount:

*Decodrops and Decobars* are a great answer to illuminate open breezeways that are subject to "sideways rain". The ceilings are often traditional stucco with a recessed box and fixture ring. Simply trim the box with a weatherproof round cover and attach the fixture cord grip to the center 1/2" port. *Decobars* offer a linear array of heads for a continuous look. Suspension length is easily adjusted. Be mindful that the head will not swing into an adjacent wall, window or column if wind gets lively.

### Interior Canopy Mount:

For interior applications, the same basic mounting technique applies without the need for W/P boxes. Either a decorative canopy can be used over a recessed or surface box or a simple 4S/5S flat plate with center K/O for our cord grip. Likewise, the *Decodrops* are often located and secured with a zip tie and the cord ends grouped in a center location. *Decobars* are ETL listed for wet location use also

### Alternative Mounting Options:

*Decodrops* are a single point drop however they can be very effective when mounted in tight clusters or in a linear fashion on a continuous channel. Both multiple canopies and linear mounts are available, contact the factory or your local representative to help develop your concepts.

### Safety Warnings:

- Do not install these fixtures in hazardous locations.
- Do not install fixtures within 6" of any curtain or similar combustible material.
- Do not install over swim pools or water features (check local codes for limitations)
- Replace with same lamps - wattage/voltage/wet rating.

## INSTALLATION MUST BE DONE BY A PROFESSIONAL OR QUALIFIED ELECTRICIAN

Contact factory with any questions: 626-442-4600 or technical @primuslighting.com