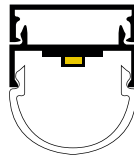
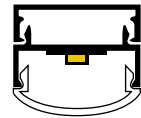


ALX5-SQL
SQUARE LENS



ALX5-RLR
ROUND LENS



ALX5-FRL
FLAT ROUNDED LENS

See Next Page For More Product Details

CAREFULLY REVIEW THE FOLLOWING INFORMATION AND INSTALLATION STEPS TO ENSURE THE PRODUCT IS INSTALLED SAFELY AND CORRECTLY.

INSTALLATION MUST BE PERFORMED BY A LICENSED CONTRACTOR OR QUALIFIED ELECTRICIAN FAMILIAR WITH APPLICABLE CODES AND SAFETY STANDARDS. IMPROPER INSTALLATION CAN RESULT IN SERIOUS INJURY OR DEATH.

FAILURE TO FOLLOW THESE INSTRUCTIONS AND AS A RESULT OF INCORRECT INSTALLATION WILL VOID PRODUCT WARRANTY

MANUFACTURER ASSUMES NO LIABILITY FOR PRODUCT OR PROPERTY DAMAGE OR INJURY RESULTING FROM FAILURE TO FOLLOW THESE INSTRUCTIONS, MISUSE OF THE PRODUCT, OR INSTALLATION NOT PERFORMED IN ACCORDANCE WITH LOCAL BUILDING AND ELECTRICAL CODES

NEC AND LOCAL CODE AWARENESS

Installation must be done in accordance with (NEC) National Electrical Code and any other local code requirements

SAFETY WARNINGS

Do not install this product on or nearby flammable materials

Do not install this product in hazardous locations

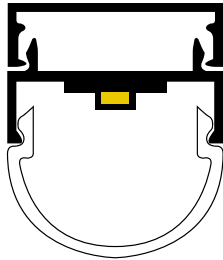
GENERAL NOTES

Contact manufacture with any questions Ph: 661-495-5700 or info@primuslighting.com

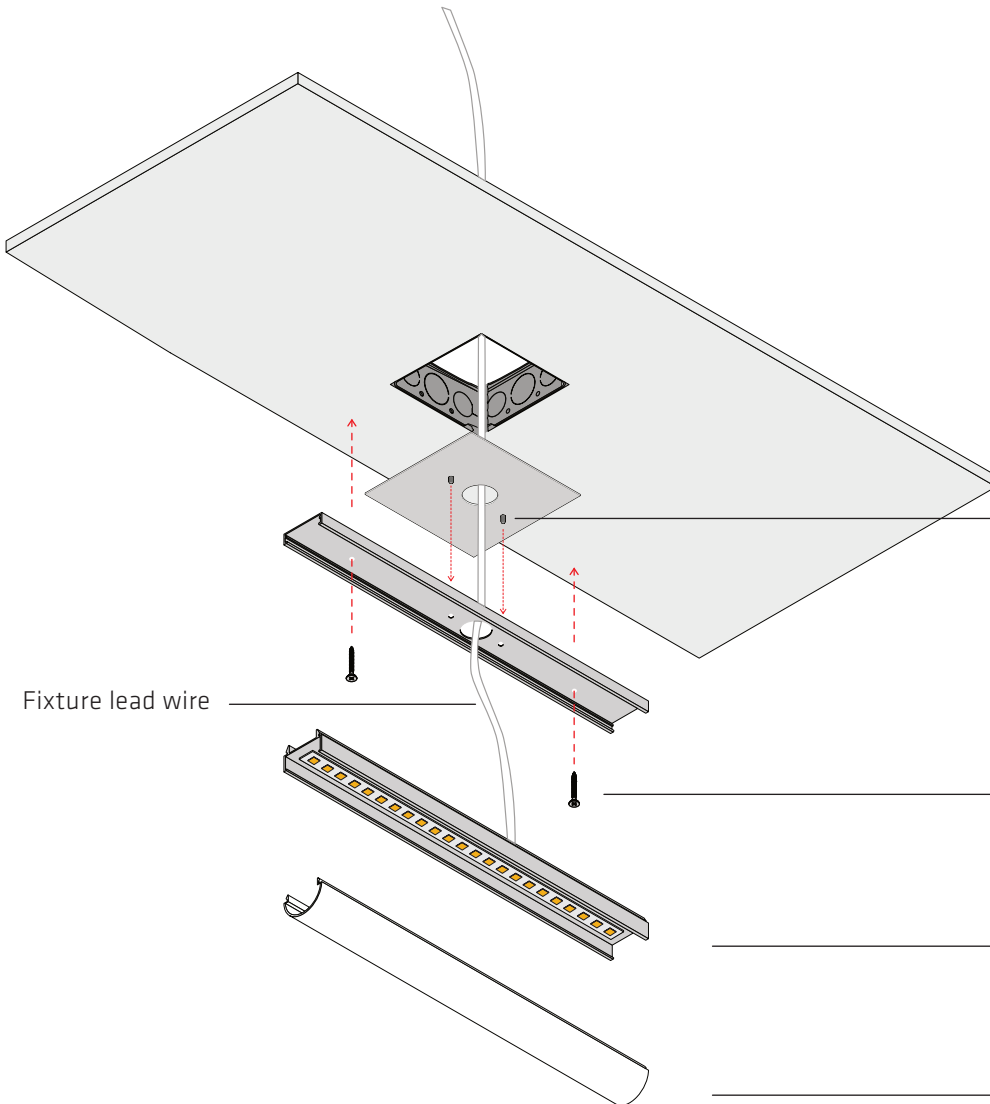
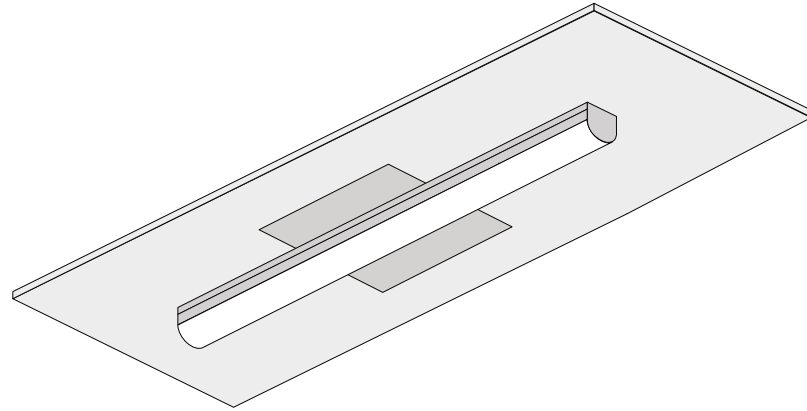
Save this instructions

See Next Page For Installation Steps

End View



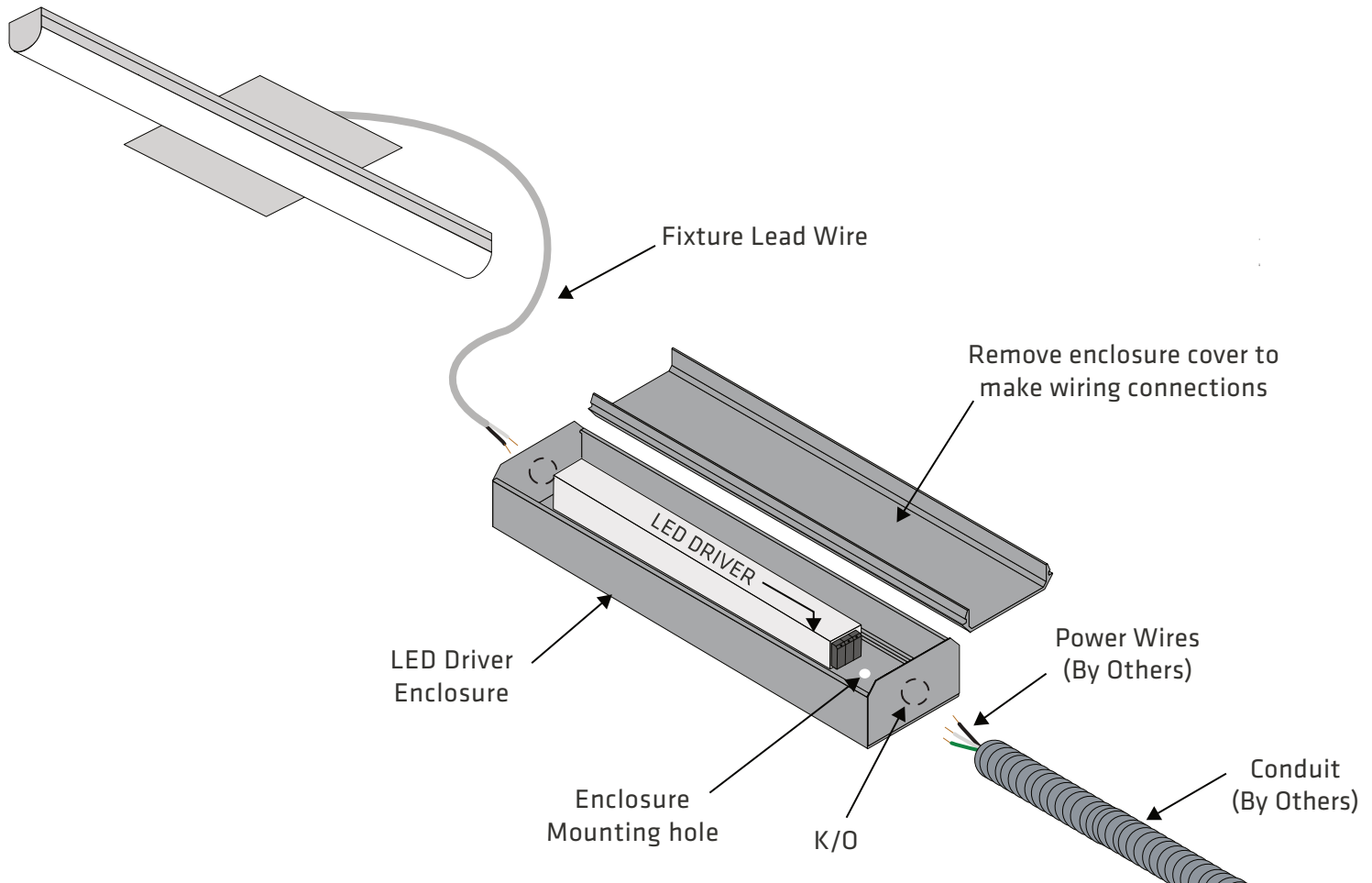
Finished Installation View



- ⑥ Finish installation by testing and closing the fixture.
Snap-in LED channel and lens cover
- ③ Attach J-Box plate to the fixture.
Skip this step if J-Box plate is pre-attached
- ⑤ Connect fixture to remote driver and driver to power.
(Refer to page 4)
- ④ Secure fixture to the mounting surface using the pre-drilled mounting holes
(Mounting screws by others)
- ② Remove LED channel.
(Unsnap the LED channel)
- ① Remove lens cover
(Unsnap the lens)

Connect Fixture to LED Driver

Connect fixture leadwire to the LED driver using the K/O located at the end of LED driver enclosure.
Secure the LED driver enclosure using the mounting holes located inside the enclosure.
(K/O fittings and wire-nuts by contractor)



Connect Driver to Power

Connect service power to the led driver using the K/O located at the end of the LED driver enclosure.
Make sure to make this connection to the correct side of the driver to avoid driver damage.
(K/O fittings, conduit and power wires by others)

Contact factory with any questions: 661-495-5700 or technical@primuslighting.com