

CV5+ Installation Guide

General Notes

- Luminaire to be installed by a qualified electrician and in accordance with NEC and local codes
- Do not install on or nearby combustible materials
- Fixture is ETL listed “Damp Rated”

Fixture Description

The CV5+ is a high performance, dual light, low profile, asymmetric cove luminaire with precision optics allowing illumination of flat surfaces from an edge. It is traditionally used as a cove fixture producing a smooth gradient of illumination as far as 8-10' out. Fixtures are ordered in single sections up to 12' long and can be continuous by using internal joiners. Patterns or rectangular coffers are made up of straight sections of the closest length and whipped in the corners. 0-10v dimming standard.

Construction Details

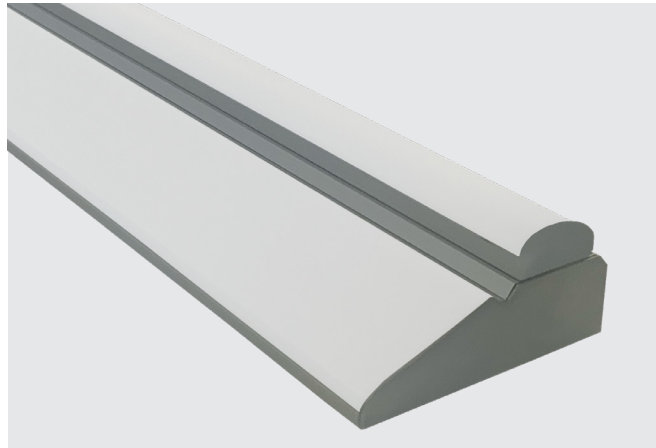
Housing	Extruded Aluminum housing with snap on wireway cover
Reflector	Specular reflector on floor of fixture redirects illumination to peak zone
Lens	Extruded snap on DR Acrylic lens had white frosted finish for smooth distribution
LED Boards	Standard LEDs 60,000hours (L70), high uniformity 90CRI, 2700K to 4000K Special LEDs include Static Colors, RGB, RGBW, Tunable White and Dim to Off.
LED Drivers	Standard drivers are 120/277v (347v optional) and feature 0-10v control. They are programmed Low, Medium, High or a specific performance level Special driver control features include Dali, Lutron, 2-wire/Triac and others
Endcaps / Joiners	Endcaps with 1/2" Ko's are standard on both ends. Continuous runs feature an internal joiner and are pre-wired with line and control wires.
Finish	Satin Anodized or Polyester white paint is standard. Powdercoat optional
Fixture Lengths	Single sections up to 12'. Internal joiner plate connects longer / continuous runs / custom patterns

Fixture Organization and Prep

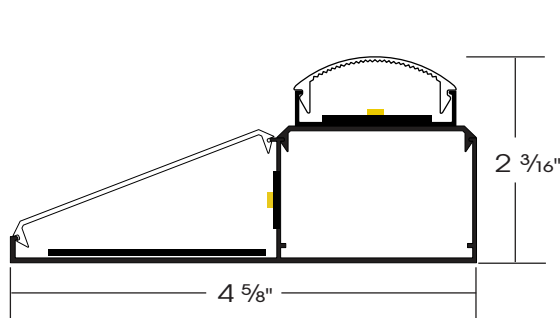
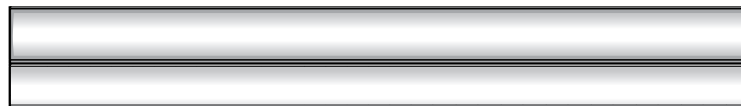
All CV5+ fixtures are shipped marked by type and fixture length. Long runs are made up, labeled and packaged for easy section organization and will be pre-wired with both line and control wires. They include end caps with K/O's and internal joiner plates for continuous runs.

See Next Page For More Product Details

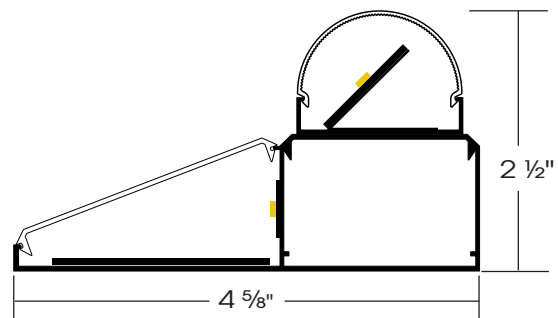
COVE 5+ (CV5+) SERIES INSTALLATION GUIDE



FRONT VIEW



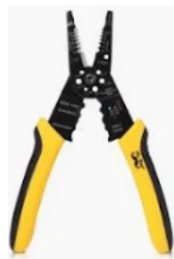
CV5+
COVE 5 PLUS



CV5+A
COVE 5 PLUS ASYMMETRIC

Tools Required:

Wire stripper, flat screw driver and philips screw driver other tools may also be required.
(Mounting screws, wire nuts and any other type of hardware by others)



See Next Page For Installation Steps

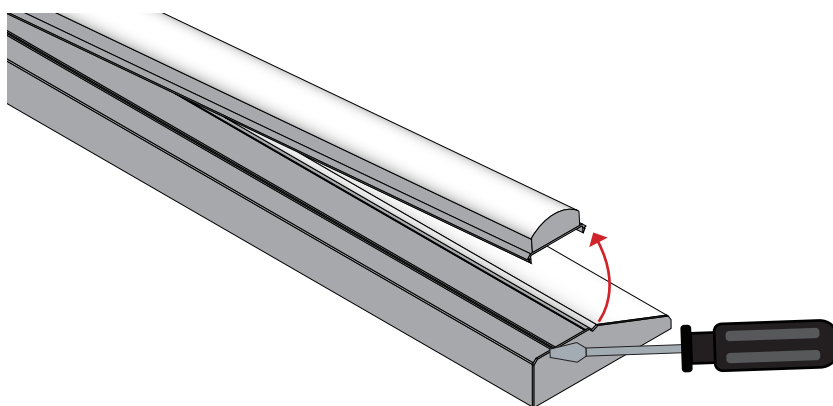
CAREFULLY REVIEW THE FOLLOWING INSTALLATION STEPS TO ENSURE THE PRODUCT IS INSTALLED SAFELY AND CORRECTLY. INSTALLATION MUST BE DONE BY A LICENSED AND QUALIFIED PROFESSIONAL. (FAILURE TO FOLLOW INSTRUCTIONS WILL VOID WARRANTY)

Surface Mount Installation Steps

(Skip To Page 7 For Cable Suspended)

STEP 1

Remove cover. Insert flat screw driver at the end of the fixture between the end-cap and the aluminum snap cover to access the wiring. *(Do not remove any lens cover.)*

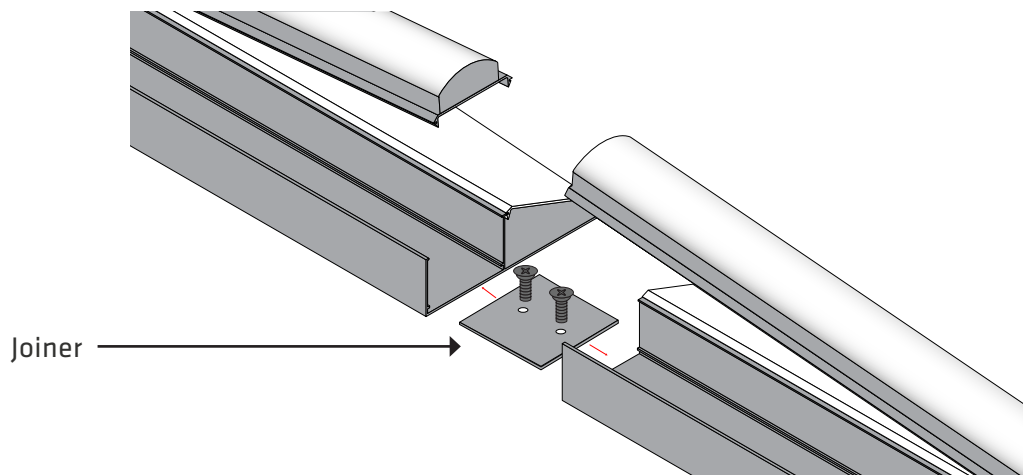


STEP 2

Repeat step 1 to other fixtures to connect multiple fixtures to make a long runs.

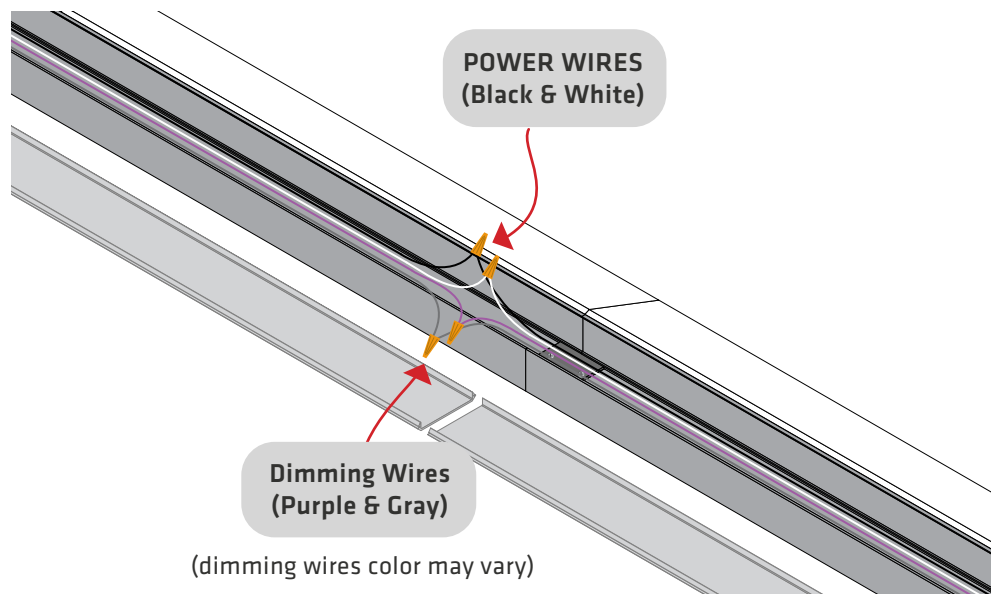
STEP 3

Making long runs. Connect multiple fixtures together with the internal joiner plate to complete the fixture overall run length required. Refer to the information on the label placed at the end of each fixture to identify the correct sequence in which fixture should be connected. The assembly of multiple sections are often easily done in the cove rather than on the floor.



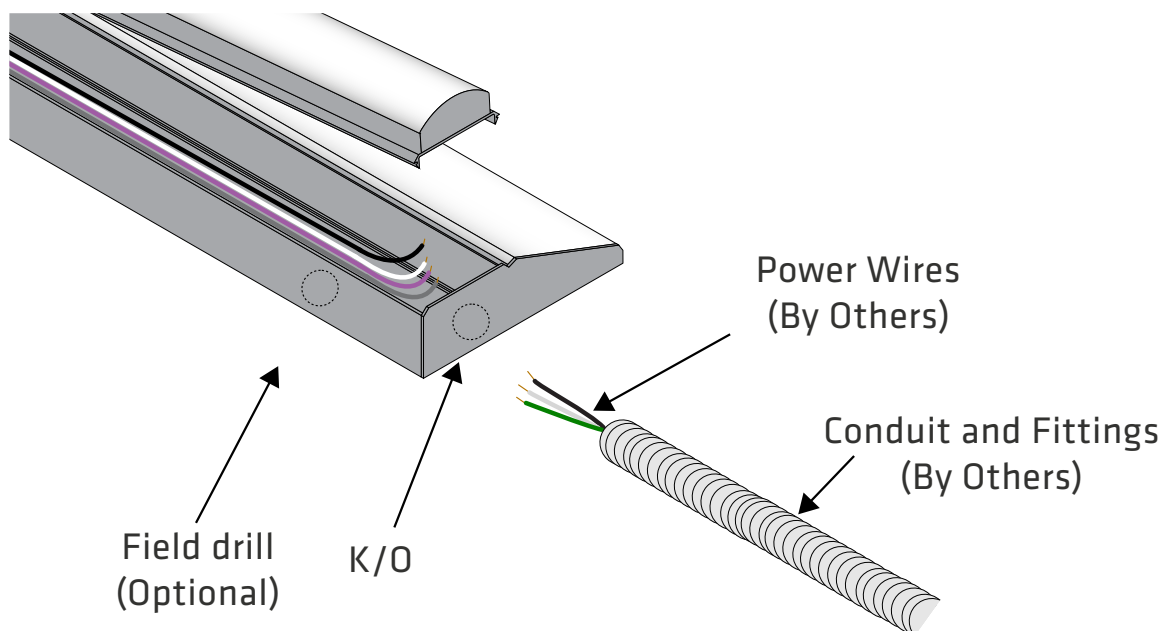
STEP 4

Fixture wiring connections. Identify wires and connect power and dimming wires from one section to another section. Repeat same steps to connect more sections to complete the fixture overall run length required.
(Wire nuts and any other type of hardware required, by others)

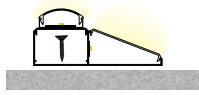


STEP 5

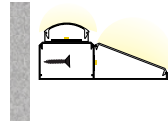
Fixture Power Connection. Service power can be connected at the end of the run using the provided endcap with K/O or field-drill K/O on the side or bottom of any section. Make power wiring connections and cap off opposite end of fixture power wires. *(Conduit and any other type of hardware required, by others)*



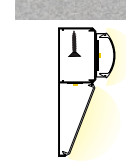
STEP 6
Secure Fixture To Mounting Surface. Identify the required fixture mounting position and secure the fixture to the mounting surface using the pre-drilled mounting holes. (*Mounting screws by others*)



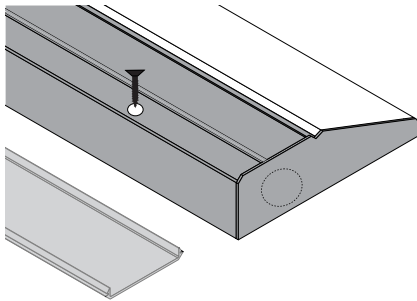
SMF
 SURFACE MOUNT FLAT



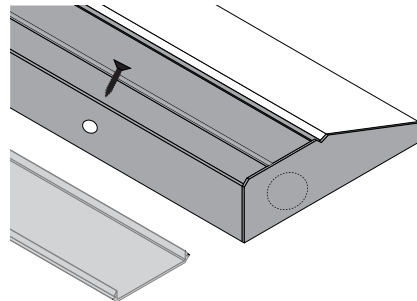
SMW
 SURFACE MOUNT WALL
 (up or down light)
 (Not ADA at 28-80" height from floor)



SMV
 SURFACE MOUNT VERTICAL

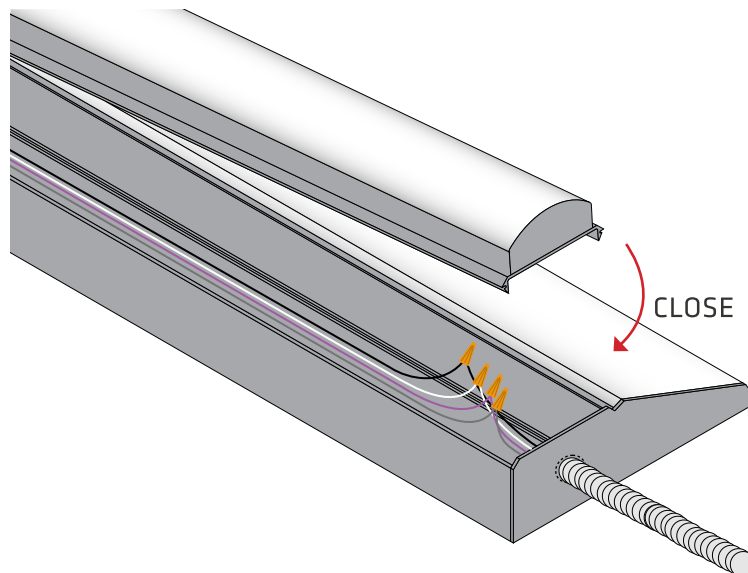


PRE-DRILLED MOUNTING HOLE
 (SMF)



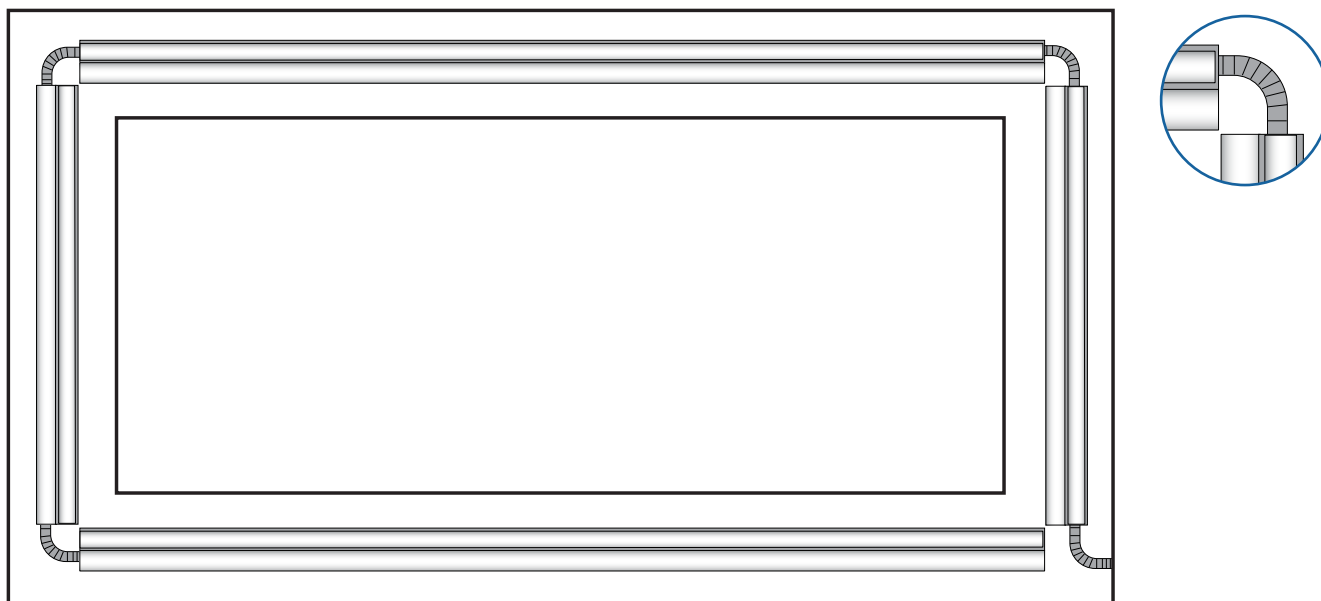
PRE-DRILLED MOUNTING HOLE
 (SMW / SMV)

STEP 7
Close Fixture. Snap covers back on to close the fixture and complete the installation.



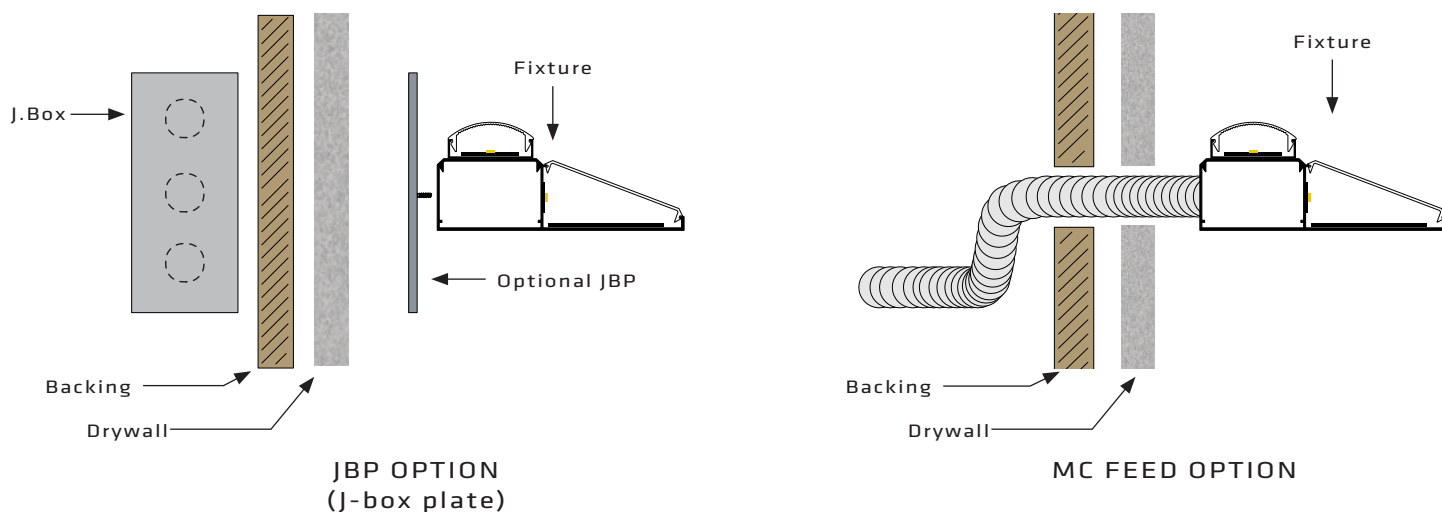
Patterns Mounting Notes

For most patterns installation where fixtures don't have or require precise mitered corners, using whipped corners is common as shown in the drawing below. This approach provides more flexibility during installation, making exact tolerance less critical. CV5+ fixtures are customarily surface mounted facing up in a cove or shelf. If there is no front lip, be mindful of sight lines from various angles and set the fixture back accordingly.



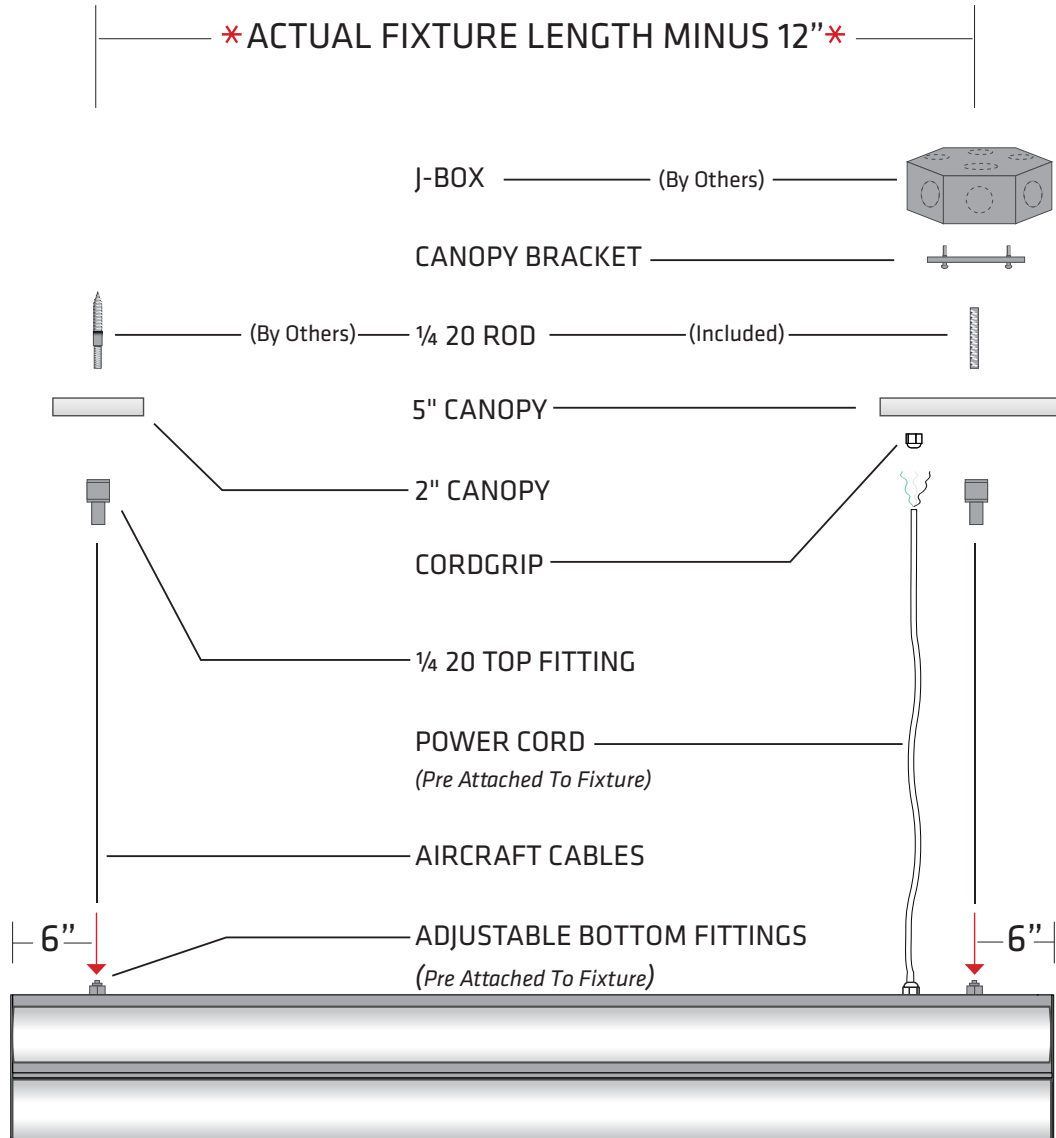
Wall and Ceiling Surface Mounting Notes

The CV5+ fixture can be wall mounted for ceiling or wall washing. It is not ADA compliant so it must be mounted +80" AFF (Above finished floor). Proper structural backing should be installed behind drywall for mounting integrity. The narrow MC whip feed is the optimal feed method for fixtures with narrow housing. Covering a typical J-box will require our JBP (J-box canopy plate)



Cable Suspended Installation Steps

Get familiar with the drawing below and identify all components included and not included required to install the fixture



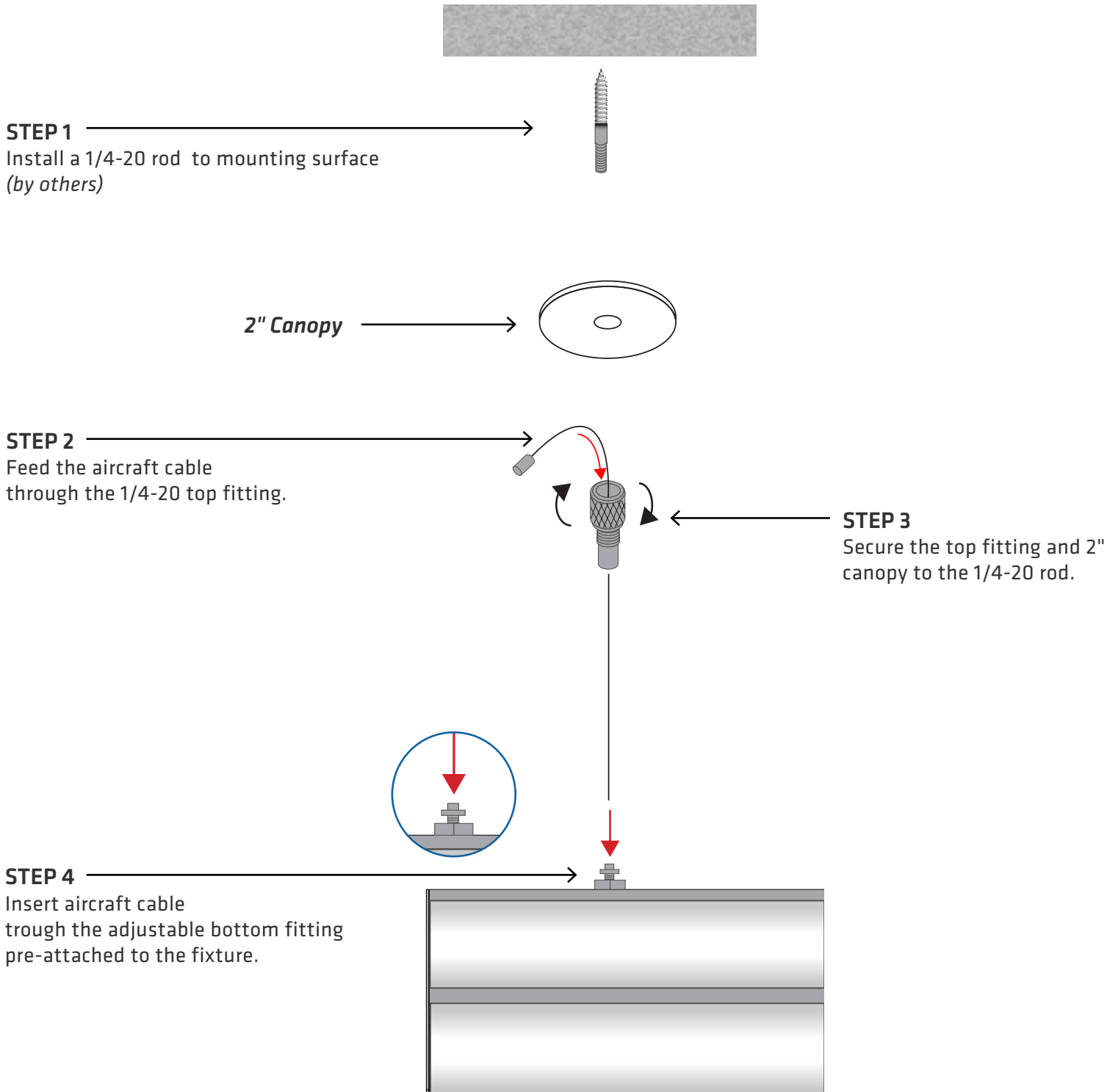
CABLE SUSPENSION KIT 48" AND 72"

EACH SUSPENSION KIT INCLUDES:

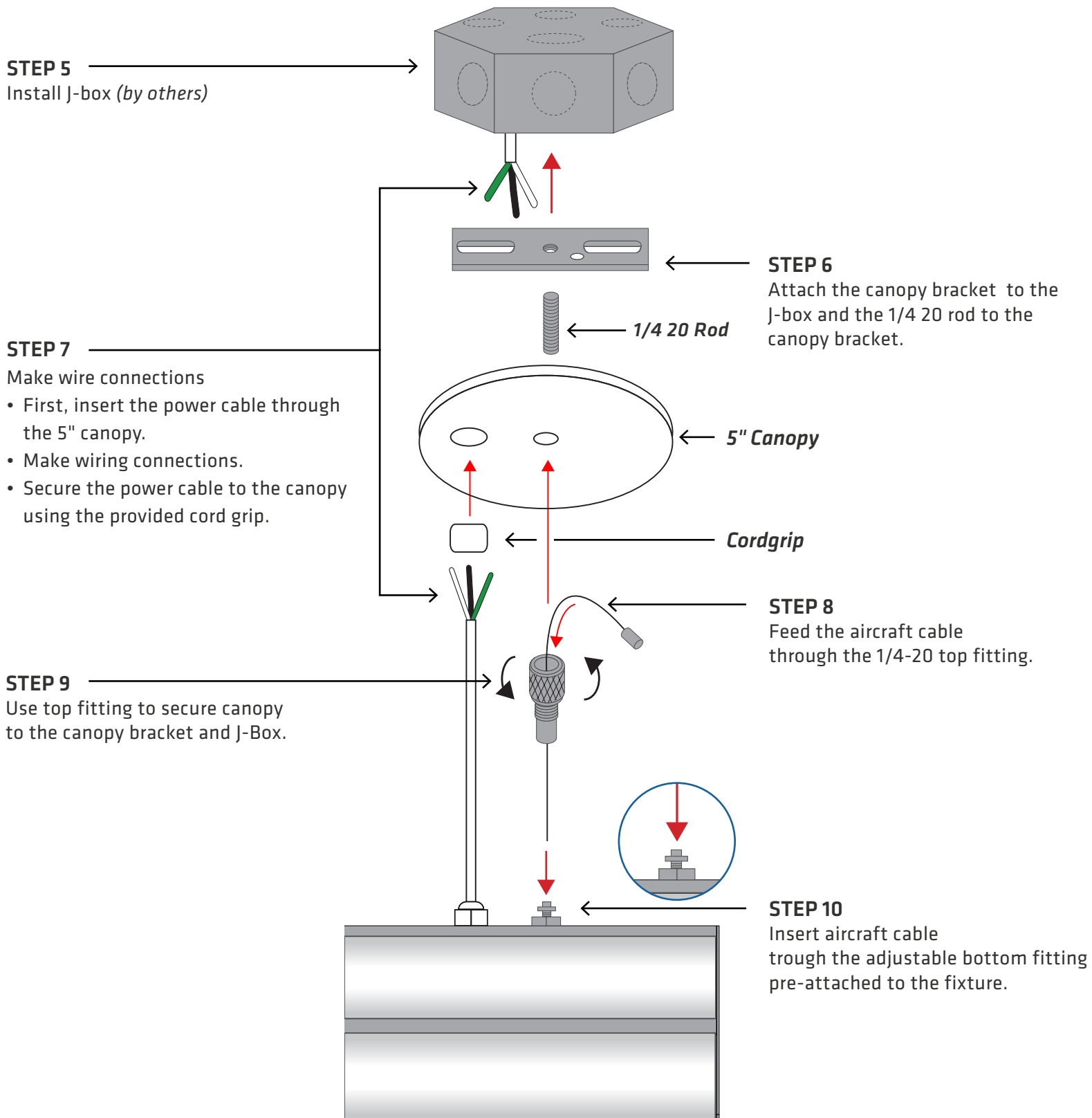
- (1) 5" White canopy with mounting hardware
- (1) 2" White canopy
- (2) Top fittings for 1/4-20 Rod
- (1) Power cord pre-wired to fixture 18/5 white SVT
- (2) Aircraft cables 48" or 72", (other lengths available)
- (2) Adjustable bottom fittings pre-attached to fixture

- * Custom pendant spacing available, specify or consult factory
- * Canopies white finish standard, consult factory for other finishes
- * Lengths over 8' require center cable support
- * EM options include 18/6 power cord

Installation steps for: Non-feed 2" canopy side.

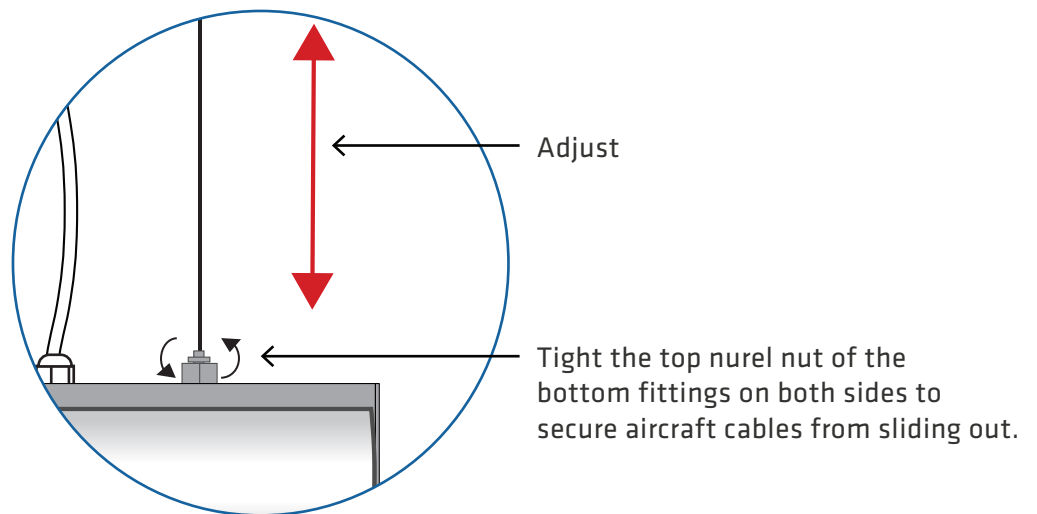


Installation steps for: Power feed 5" canopy side.



STEP 11

Adjust aircraft cables on both sides and level the fixture as required, secure aircraft cables by tightening the adjustable bottom fittings and complete installation



Installation Completed