



DECOSTRING

SUSPENDED DECORATIVE STRINGLIGHT SYSTEMS

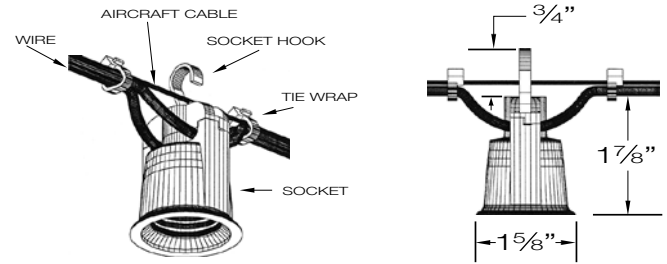
WWW.PRIMUSLIGHTING.COM



SUSPENDED DECORATIVE STRINGLIGHT SYSTEMS





PROJECT:
TYPE:



SOCKET, WIRE & CABLE DETAILS

Decostrings are a perfect accent lighting solution to add a personal ambience to patios, courtyards, atriums, restaurants, amusement parks and any open area. The “festoon” lighting system is typically strung between two anchorage points with optional intermediary support and electrically fed from one end. The sockets can be either symmetrically spaced or randomly spaced to suit the application. Optional shades, guards and lenses complete the architectural design.

SPECIFICATIONS

LAMPHOLDER	Black phenolic, medium base UL weatherproof with hook for optional mounting.
POWER CORD	12/2 G. Black flexible duplex cable, UV rated for extended outdoor use.
SUPPORT CABLE	3/32" SS aircraft catenary cable supports the system, 980# test. Heavier cable available.
TERMINATION KITS	Heavy duty stainless steel hardware available.
LAMPS	Wet location rated LED and incandescent medium base A, G or S style lamps.
DIMMING	Dimmable to 10% with ELV trailing edge type dimmers.
VOLTAGE	120V system (1920 watts max load). No driver or transformer required.
ACCESSORIES	Optional brass, aluminum and acrylic shades. Consult factory for custom shades.
PHOTOMETRY	Bare lamp and shielded “BUG” rated .IES files available.
CERTIFICATION	ETL listed for permanent damp or wet installations.  2001431  MADE IN THE USA

PART NUMBER

SERIES	SPACING	VOLTS	LAMP	SHADE-FINISH	TERMINATION KIT	LENGTH
DSD DAMP	12 12"O/C	120 120V	SELECT FROM LAMP PAGE 3	<u>OPTIONAL</u>	<u>OPTIONAL</u>	SPECIFY
DSW WET	18 18"O/C			SELECT FROM PAGE 4 & 5 OR LEAVE BLANK	STK STANDARD TERMINATION KIT	
	24 24"O/C				LTK LIGHTWEIGHT TERMINATION KIT	
	36 36"O/C				TBK TURNBUCKLE KIT (SEE PAGE 6)	
	48 48"O/C					
	(OTHER, SPECIFY)					

LED FILAMENT STYLE LAMPS



S14

S14-24/150 – 24K, 1.5W, 150L, CLEAR
 S14-27/150 – 27K, 1.5W, 150L, CLEAR

WHITE OR FROSTED – CONSULT FACTORY



G16.5

G16.5F-24/325 – 24K, 3.5W, 325L, CLEAR
 G16.5F-27/325 – 27K, 3.5W, 325L, CLEAR

G16.5F-24/200 – 24K, 2W, 200L, CLEAR
 G16.5F-27/200 – 27K, 2W, 200L, CLEAR

WHITE OR FROSTED – CONSULT FACTORY



VINTAGE LED LAMPS
 CONSULT FACTORY



A15 & A19

CONSULT FACTORY



S14 VARIOUS COLORS
 CONSULT FACTORY



G25

CONSULT FACTORY

* ADD "SC" SUFFIX FOR SILICONE COATING (FOOD SERVICE)

* SEE INDIVIDUAL DATA SHEETS FOR COMPLETE LAMP SPECIFICATIONS

* LED LAMPS SPECIFICALLY WET RATED AND DIM DOWN TO 10% WITH A TRAILING EDGE (ELV) DIMMER.

INCANDESCENT LAMPS (OPTIONAL)



LF

A15 CLEAR 120V 25W



LS

S14 CLEAR 120V 11W
 COLORS AVAILABLE



LH-C

G16.5 CLEAR 120V 25W
LH-W
 G16.5 WHITE 120V 25W



LG

S11 CLEAR 120V 7.5W
 COLORS AVAILABLE

FULL SPECIFICATION SHEETS AVAILABLE AT PRIMUSLIGHTING.COM.

DSC7 7" W X 3" H CONE SHADE 6 OZ
DSC10 10" W X 3" H CONE SHADE 9 OZ
DSC12 12" W X 4" H CONE SHADE 18 OZ
 FINISH: ACID ETCHED BRASS OR POWDER COAT
 PROVIDES 0/0/0 BUG RATING



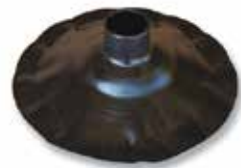
SHOWN: AGED BRASS (AB)

DSH4 4" W X 1 7/8" H HAT SHADE 2 OZ
DSH6 6" W X 2 1/4" H HAT SHADE 4 OZ
DSH8 8" W X 2 3/4" H HAT SHADE 6 OZ
 FINISH: ACID ETCHED BRASS OR POWDER COAT
 FACTORY INSTALLED



SHOWN: VERDE BRASS (VB)

DSRW4 4" W X 1 7/8" H RADIAL WAVE SHADE 2 OZ
DSRW6 6" W X 2 1/4" H RADIAL WAVE SHADE 4 OZ
DSRW8 8" W X 2 3/4" H RADIAL WAVE SHADE 6 OZ
 FINISH: ACID ETCHED BRASS OR POWDER COAT
 FACTORY INSTALLED



SHOWN: POWDER COAT BLACK (PCB)

DST4P 4" W X 6" H PERFORATED TUBE SHADE 11 OZ
DST6P 6" W X 8" H PERFORATED TUBE SHADE 22 OZ
 FINISH: ACID ETCHED BRASS OR POWDER COAT



SHOWN: RAW (RB)

DST4C 4" W X 6" H WIRE CAGE TUBE 9 OZ
DST6C 6" W X 8" H WIRE CAGE TUBE 15 OZ
 FINISH: ACID ETCHED BRASS OR POWDER COAT



SHOWN: AGED BRASS (AB)

DSRG 6" W X 5 1/8" H 9 OZ
 ROUND SHADE WITH GUARD
 FINISH: ACID ETCHED BRASS OR POWDER COAT
 * DELETE "G" FOR NO GUARD.



SHOWN: CUSTOM TEXTURED BRONZE

DSWG 3 7/8" W X 5 5/8" H 6 OZ
 WIRE GUARD
 FINISH: CAD PLATED OR POWDER COAT BLACK
 CAN BE USED WITH CONE SHADE DSC10, DSC12



SHOWN: POWDER COAT BLACK (PCB)

DSSLG 3 1/2" W X 4 1/2" H 3 OZ
 ALUMINUM SQUARE LAMP GUARD
 FINISH: POWDER COAT OR BRUSHED ALUMINIUM



SHOWN: BRUSHED ALUMINIUM (BA)

DSRLG 5" W X 4" H 6 OZ
 METAL ROUND LAMP GUARD
 FINISH: POWDER COAT ONLY



SHOWN: POWDER COAT SILVER (PCS)

DST3A 3" W X 6" H ACRYLIC TUBE SHADE 8 OZ
DST5A 5" W X 8" H ACRYLIC TUBE SHADE 14 OZ
 FINISH: OPAL WHITE, CLEAR OR FROSTED



SHOWN: OPAL WHITE (O)

DSS8 8" DIAMETER ACRYLIC SPHERE 9 OZ
DSS10 10" DIAMETER ACRYLIC SPHERE 16 OZ
DSS12 12" DIAMETER ACRYLIC SPHERE 22 OZ
 FINISH: OPAL WHITE, CLEAR OR FROSTED



SHOWN: OPAL WHITE & CLEAR (O & C)

DSQ8 8" DIAMETER ACRYLIC SOFT CUBE SHADE 12 OZ
DSQ10 10" DIAMETER ACRYLIC SOFT CUBE SHADE 20 OZ
DSQ12 12" DIAMETER ACRYLIC SOFT CUBE SHADE 26 OZ
 FINISH: OPAL WHITE, CLEAR OR FROSTED



SHOWN: FROSTED (F)

SHADES & GUARDS FINISH CODES

RAW & ACID ETCHED FINISHES



AB – AGED BRASS
 (MOST POPULAR)



VB – VERDE BRASS



RB – RAW BRASS



BA – BRUSHED ALUM

POWDER COAT FINISHES



PCW – POWDER COAT WHITE



PCB – POWDER COAT BLACK



PCS – POWDER COAT SILVER

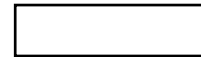


PCC – POWDER COAT (CUSTOM)
 PROVIDE RAL COLOR

ACRYLIC FINISHES



O – OPAL WHITE



C – CLEAR



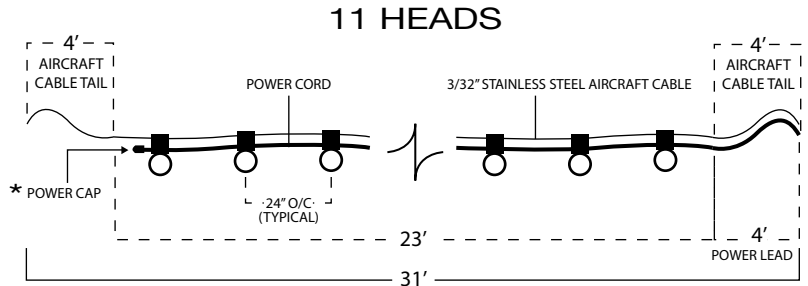
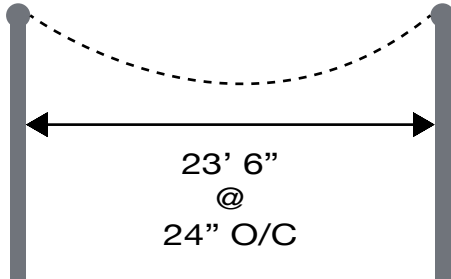
F – FROSTED

SHADES & GUARDS FINISH NOTES

- Decostring shades are hand crafted from solid brass or aluminum and feature either chemical etched or powder coat finishes.
- Most shades are shipped separately and attached to cable system with a tool-less keeper ring.
- All shades and guards dimensions are nominal.
- Please contact us for material, finish and shape variations or custom designs.

Decostrings are ordered and built to specific run lengths and include 4' aircraft cable tails on each end and a 4' power lead on one end for adjustment and make-up. Order the measured length between mounting points rounded down to the nearest foot which allows for ample droop and centering adjustment. See "Installation Guide" for detailed instructions. Estimate dead weight load at 5oz/ft. for most common 24" O/C spacing. A simple straight run example is shown below resulting in a 23' run to order.

Example:



* OPTIONAL: LEADS BOTH ENDS FOR SPLICING

TERMINATION KITS

Commercial grade heavy duty stainless steel cable termination kits. System working load 175# using standard *Decostring* 3/32" suspension cable to attach to typically a 1/4" eye or mounting tab (by others). Complete hardware for both cable ends. Order (1) kit per run. Other components available.



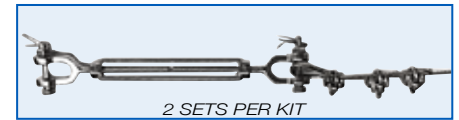
STK

STANDARD TERMINATION KIT
For Drooped Suspension | 5/16" Gate



LTK

LIGHTWEIGHT TERMINATION KIT
Maximum Working Load 30 LBS

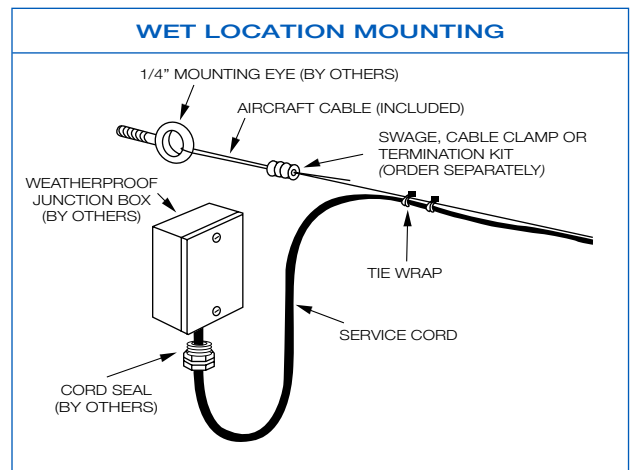
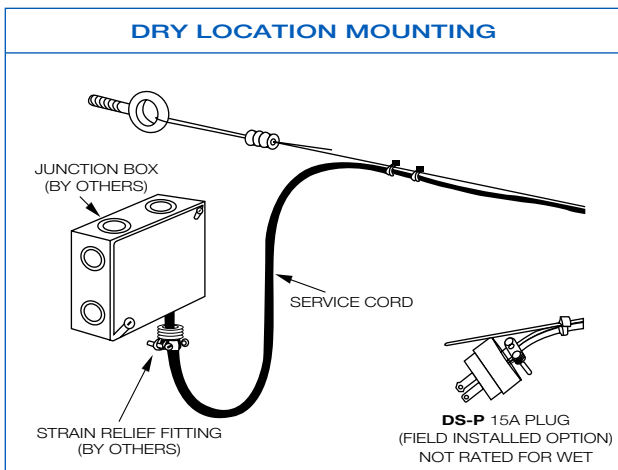


TBK

TURNBUCKLE KIT
Only for Tensioned Suspension | 7/16" Gate

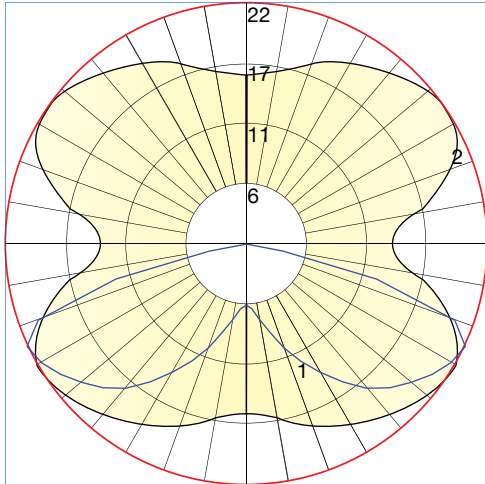
POWER CONNECTIONS

Decostrings are designed to be permanently installed and hard wired to a junction box. Customary wet location make-up includes a drip loop and mechanical termination to a weatherproof j-box using an appropriate nylon cord grip



PHOTOMETRICS / CANDELA DISTRIBUTION / BUG RATING

S14-27/150 LAMP WITH 7" CONE SHADE

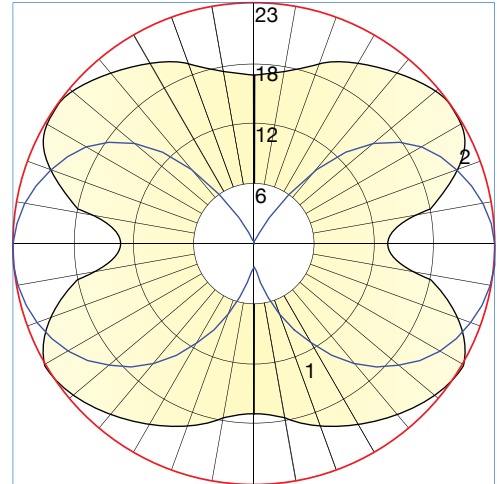


POLAR GRAPH

FILE NAME: L051504704.IES
 Maximum Candela = 22.135
 Located at Horizontal Angle = 30
 Vertical Angle = 65

#1-Vertical Plane Through Horizontal Angles (30-120) (Through Max. Cd.)
 #2-Horizontal Cone Through Vertical Angle (65) (Through Max. Cd.)

S14-27/150 BARE LAMP ONLY



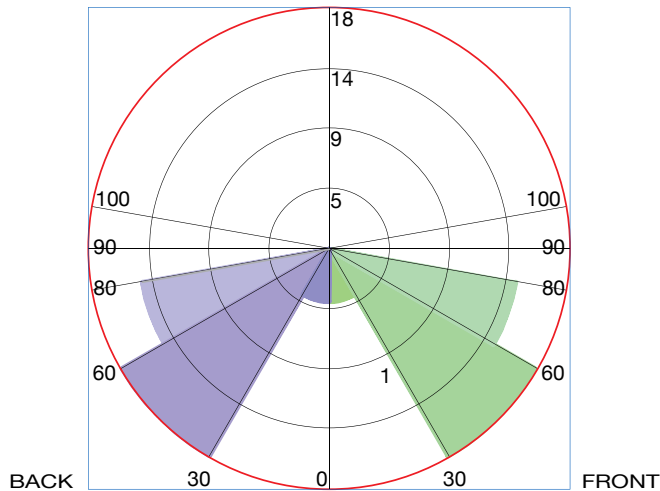
POLAR GRAPH

FILE NAME: L051504703.IES
 Maximum Candela = 23.392
 Located at Horizontal Angle = 30
 Vertical Angle = 85

#1-Vertical Plane Through Horizontal Angles (30-120) (Through Max. Cd.)
 #2-Horizontal Cone Through Vertical Angle (85) (Through Max. Cd.)

LUMINAIRE LUMENS

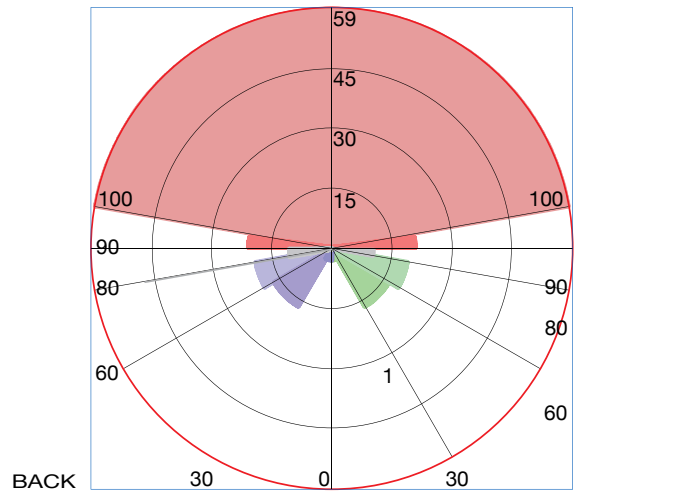
UPLIGHT



FILE NAME: L051504704.IES
BUG RATING: B0-U0-G0

LUMINAIRE LUMENS

UPLIGHT



FILE NAME: L051504703.IES
BUG RATING: B0-U3-G1

