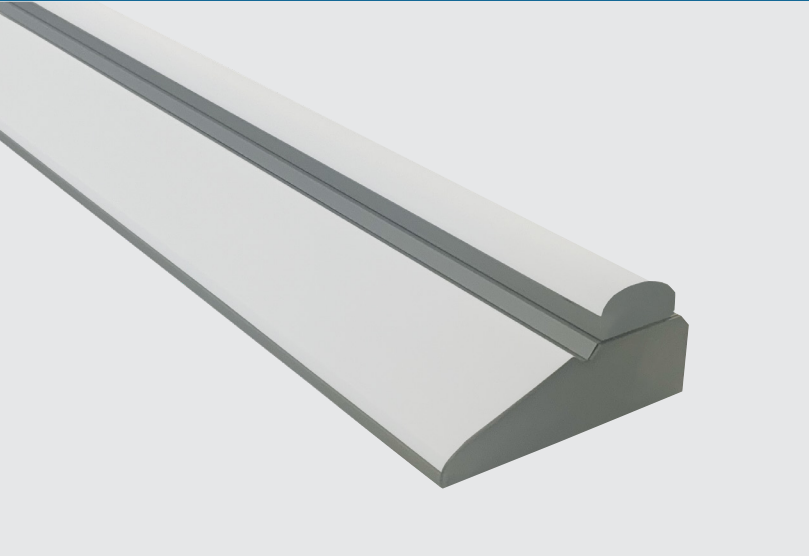


COVE 5+ (CV5+) SERIES

HIGH PERFORMANCE COVE / INDIRECT LIGHTING



PROJECT

TYPE

NOTES

FEATURES

CONSTRUCTION

High quality precision extruded aluminum that has a superior strength-to-weight ratio than steel allowing for longer runs and a premium finish and wide spread acrylic lens for broad even light distribution.

ASYMMETRIC DOUBLE LIGHT DISTRIBUTION

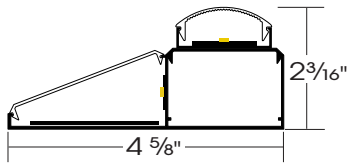
A carefully designed asymmetric double light distribution, focusing light in two directions while providing smooth illumination. For high ceilings and voluminous cove applications.

VERSATILE SOLUTION

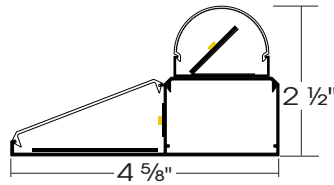
The CV5+ is a highly versatile lighting solution, perfectly suited for a wide range of applications. Whether it's wall washing, wall grazing, or serving as a wall sconce, the CV5+ delivers. Its adaptability extends to both regular and inverted cove lighting solutions, making it an ideal choice for various architectural and design scenarios due to the consistent and reliable illumination tailored to specific needs.

CUSTOMIZATION

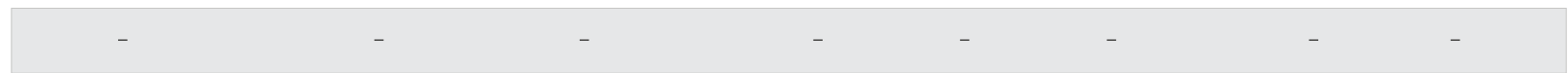
The wider housing enables easy integration of various new LED types, colors, drivers, finishes, configurations, and mounting options, allowing you to fully customize your fixture to meet specific needs.



CV5+



CV5+A



SERIES	LED TYPE	LUMENS	REMOTE DRIVER	OPTIONS	ENDCAPS	MOUNTING	FINISH	LENGTH	
CV5+ CV5+A	STANDARD LED	FOR STANDARD LED	FOR STANDARD LED	EM PACKS	STANDARD	SURFACE MOUNT		2'	
	27K 2700k	L LOW	UNV0% 0-10V0%	EM1	BEK	SMF	W WHITE	3'	
	30K 3000k	M MEDIUM	UNV1% 0-10V1%	800 LUMENS	BOTH END K/O	SMW	S SATIN	4'	
	35K 3500k	H HIGH	UNV10% 0-10V10%	EM2 1400 LUMENS	ONE END K/O	SMV	B BLACK	5'	
	40K 4000k	CL CUSTOM LUMENS	UNVCD% 0-10VCD			JBP	C CUSTOM	6'	
			TRIAC 2 WIRE			BE BLANK ENDS	JBP	A ANTI MICROBIAL	7'
			DALI DALI					CABLE SUSPENDED	8'
			LTRN LUTRON	CSHD(48 or 72)	9'				
					FD FIELD DRILL	CSV(48 or 72)	10'		
					ARCHITECTURAL		11'		
				ABE BLANK ENDS		12'			
						OTHER SPECIFY			
						PTN			
Refer to PG.1,2	Refer to PG. 3	Refer to PG. 3	Refer to PG. 3	Refer to PG. 4	Refer to PG. 4	Refer to PG. 5	Refer to PG. 6	Refer to PG. 7	

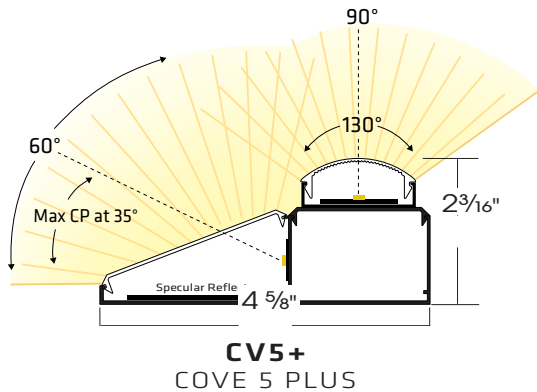


COVE 5+ (CV5+) SERIES

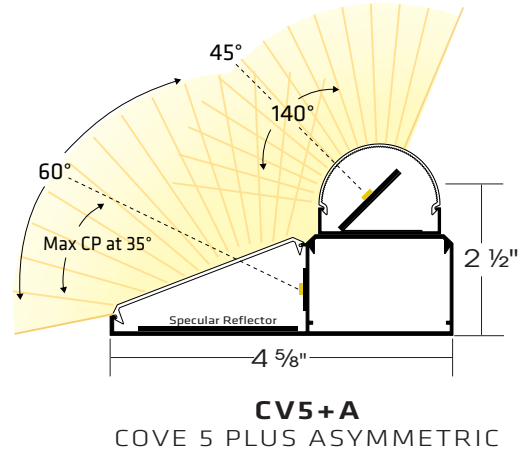
SERIES - SPECIFICATIONS



SERIES



CV5+
COVE 5 PLUS



CV5+A
COVE 5 PLUS ASYMMETRIC

SPECIFICATIONS

HOUSING

High quality extruded aluminum snap together housing up to 12' long in one single and continuous housing. Continuous longer runs can be made in the field by connecting multiple fixtures using our internal joiners.

REFLECTORS

High specular reflector installed inside the fixture to improve light performance.

LENS

Extruded flat and semi-rounded snap on DR acrylic with white frosted finish for widespread and even light distribution.

LED'S

Standard LED'S 60,000 hours. (L70), High uniformity 90CRI, 2700K TO 4000K, refer to page 3 for lumen details and options.

Special LED'S red, green, blue, RGBW, Dim to warm, Tunable white, refer to page 3 for details and options.

LED DRIVERS

Integral, universal voltage (120/277), 0-10V with custom program dimming options, Triac, Dali, Lutron, refer to page 3 for details and options.

OPTIONS

EM Packs refer to page 4 for details and options. Consult factory for other options requirements not show.

ENDCAPS

Aluminum, pre-installed, **Standard** or **Architectural** endcaps that match housing finish, refer to page 4 for details and options.

MOUNTING

Surface Mount and **Cable Suspended**, refer to page 5 for details and options.

FINISH

Powder coat and Satin anodized. White, satin and black are standard finishes, refer to page 6 for more details, custom colors and antimicrobial finish options.

FIXTURE LENGTHS

Refer to page 7 for standard and custom lengths and patterns options

COMPLIANCE CERTIFICATIONS



COVE 5+ (CV5+) SERIES

LED TYPES-DRIVERS-COMPATIBILITY



LED TYPES

STANDARD LED'S			DESCRIPTION								
COLOR		CRI	(L) LOW LUMENS			(M) MEDIUM LUMENS			(H) HIGH LUMENS		
27k	2700K	CRI 90	866 L/FT	3.5 W/FT	120 L/W	1520 L/FT	6.5 W/FT	117 L/W	2052 L/FT	9.0 W/FT	114 L/W
30k	3000K	CRI 90	896 L/FT	3.5 W/FT	124 L/W	1574 L/FT	6.5 W/FT	121 L/W	2124 L/FT	9.0 W/FT	118 L/W
35k	3500K	CRI 90	926 L/FT	3.5 W/FT	129 L/W	1628 L/FT	6.5 W/FT	125 L/W	2196 L/FT	9.0 W/FT	122 L/W
40k	4000K	CRI 90	956 L/FT	3.5 W/FT	133 L/W	1680 L/FT	6.5 W/FT	129 L/W	2268 L/FT	9.0 W/FT	126 L/W

(CL) Custom Lumens. Custom and higher lumen available. Other colors and higher Kelvin also available, consult factory.

SPECIAL LED'S	DESCRIPTION		LUMENS
R	RED	Static Red LED	Specify Required Lumens or Consult factory
G	GREEN	Static Green LED	
B	BLUE	Static Blue LED	
RGBW	RGBW	Color Tuning	
DTW	DIM TO WARM	4000k - 1800K	
TW	TUNABLE WHITE	2700k - 6500k	

Specify or consult factory for any other type of LED requirements not shown above such as led type, LED color, lumens, etc.

LED DRIVERS (Integral)

DRIVER	DESCRIPTION			
UNV0%	0 - 10V Dimming Driver	0% Dimming (Dim to Off)	120/277V	(347V Available)
UNV1%	0 - 10V Dimming Driver	1% Dimming	120/277V	(347V Available)
UNV10%	0 - 10V Dimming Driver	10% Dimming	120/277V	(347V Available)
UNV(CD)%	0 - 10V Dimming Driver	Custom Dimming (Specify %)	120/277V	(347V Available)
TRIAC	2 Wire Dimming Driver	2 Wire Phase Triac Dimming	120/277V	
DALI	Dali Dimming Driver	Dali, Specify Dali Type Required	120/277V	(347V Available)
LTRN	Lutron Dimming Driver	Lutron, Specify Type Required	120/277V	

Specify or consult factory for any other type of LED DRIVER requirements not shown above.

LED TYPES & DRIVERS COMPATIBILITY

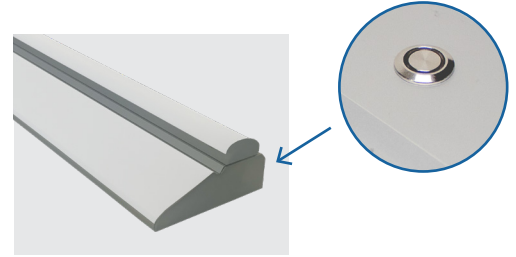
STANDARD LED'S	DRIVER						
27k	UNV0%	UNV1%	UNV10%	UNV(CD)%	TRIAC	DALI	LUTRON
30k	UNV0%	UNV1%	UNV10%	UNV(CD)%	TRIAC	DALI	LUTRON
35k	UNV0%	UNV1%	UNV10%	UNV(CD)%	TRIAC	DALI	LUTRON
40k	UNV0%	UNV1%	UNV10%	UNV(CD)%	TRIAC	DALI	LUTRON
SPECIAL LED'S							
R	UNV0%	UNV1%	UNV10%	UNV(CD)%	TRIAC	DALI	LUTRON
G	UNV0%	UNV1%	UNV10%	UNV(CD)%	TRIAC	DALI	LUTRON
B	UNV0%	UNV1%	UNV10%	UNV(CD)%	TRIAC	DALI	LUTRON
RGBW						DALI	LUTRON
DTW	UNV0%	UNV1%	UNV10%	UNV(CD)%		DALI	LUTRON
TW	UNV0%	UNV1%	UNV10%	UNV(CD)%		DALI	LUTRON

Specify or consult factory for any other type of LED DRIVER requirements not shown above.

EM PACKS

EM PACKS are pre-installed inside the fixture with test-switch also included and pre-installed. Depending on the application, the test switch / charger indicator will be installed on the side of the fixture or on the endcap. Specify or consult factory for other type of emergency lighting requirements.

PART NO.	LUMENS	OPERATION TIME
EM1	800 LUMENS	90 MINUTES
EM2	1400 LUMENS	90 MINUTES

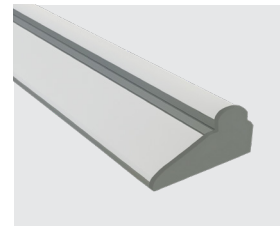


ENDCAPS

Aluminum construction are pre-installed
Two style endcaps, standard with or with out K/O's and architectural plain endcaps.
Endcap matches housing finish.



STANDARD ENDCAPS



ARCHITECTURAL ENDCAPS

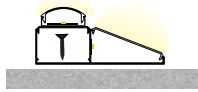
PART NO.	DESCRIPTION
BEK	BOTH ENDS K/O
OEK	ONE END K/O
BE	BLANK ENDCAPS
FD	FIELD DRILL (BLANK ENDS)

PART NO.	DESCRIPTION
ABE	3/16" PLATE BLANK ENDCAPS (Back center or field drill k/o on fixture for surface mount)

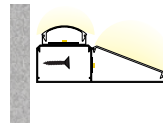
COVE 5+ (CV5+) SERIES MOUNTING OPTIONS



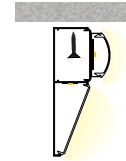
SURFACE MOUNT



SMF
SURFACE MOUNT FLAT
(up or down light)



SMW
SURFACE MOUNT WALL
(up or down light)
(Not ADA at 28-80" height from floor)



SMV
SURFACE MOUNT VERTICAL

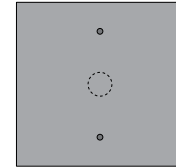
MOUNTING DETAILS



¼" MOUNTING HOLES C/L
½" BACK CENTER SERVICE HOLE

- ¼" Mounting holes provided evenly spaced on back channel.
- ½" Back center service hole for snap-in connector provided for surface mount applications when using standard blank or architectural endcap
- (FD) Field drilled optional..
- 2' fixtures require off center service hole due to 12" driver

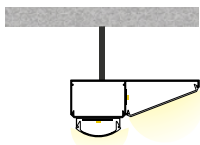
Note: Narrow side of housing will not cover recessed J Box, whip feed recommended. Use optional "JBP" canopy plate for J-Box mount. (See picture above)



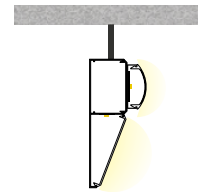
J BOX PLATE

PART NO.	DESCRIPTION
JBP	5" Flat canopy plate to cover J-Box (Optional) (JBP matches fixture finish)

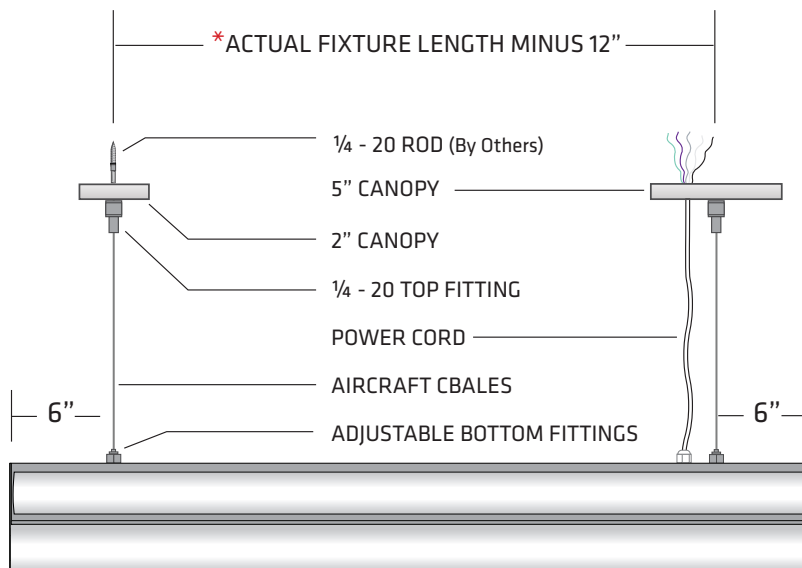
CABLE SUSPENDED



CSHD (48 or 72")
CABLE SUSPENDED
HORIZONTAL DOWN LIGHT



CSV(48 or 72")
CABLE SUSPENDED VERTICAL



CABLE SUSPENSION KIT 48" AND 72"

EACH SUSPENSION KIT INCLUDES:

- (1) 5" White canopy with mounting hardware
- (1) 2" White canopy
- (2) Top fittings for ¼-20 Rod
- (1) Power cord pre-wired to fixture 18/5 white SVT
- (2) Aircraft cables 48" or 72", (other lengths available)
- (2) Adjustable bottom fittings pre-attached to fixture

- * Canopies white finish standard, consult factory for other finishes
- * Custom pendant spacing available, specify or consult factory
- * Lengths over 8' require center cable support
- * EM options include 18/6 power cord

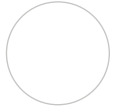
COVE 5+ (CV5+) SERIES

FINISH - FIXTURE LENGTHS



FINISH OPTIONS

Powder coat and sating anodized.
 White, satin and black are standard finishes.
 Custom colors and antimicrobial white finish also available.
 White or satin finishes are recommended for cove and indirect lighting applications.
 The actual color of the product may vary from what is seen on electronic devices.
 We cannot guarantee that the color you see on your screen accurately reflects the true color of the product.



W - WHITE

(Powder Coat, Standard)



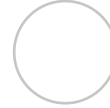
S - SATIN

(Clear Anodized, Standard)



B - BLACK

(Powder Coat, Standard)



A - ANTI MICROBIAL

(Powder Coat White
Consult Factory)



C - CUSTOM COLOR

(Not standard, [provide RAL#](#))

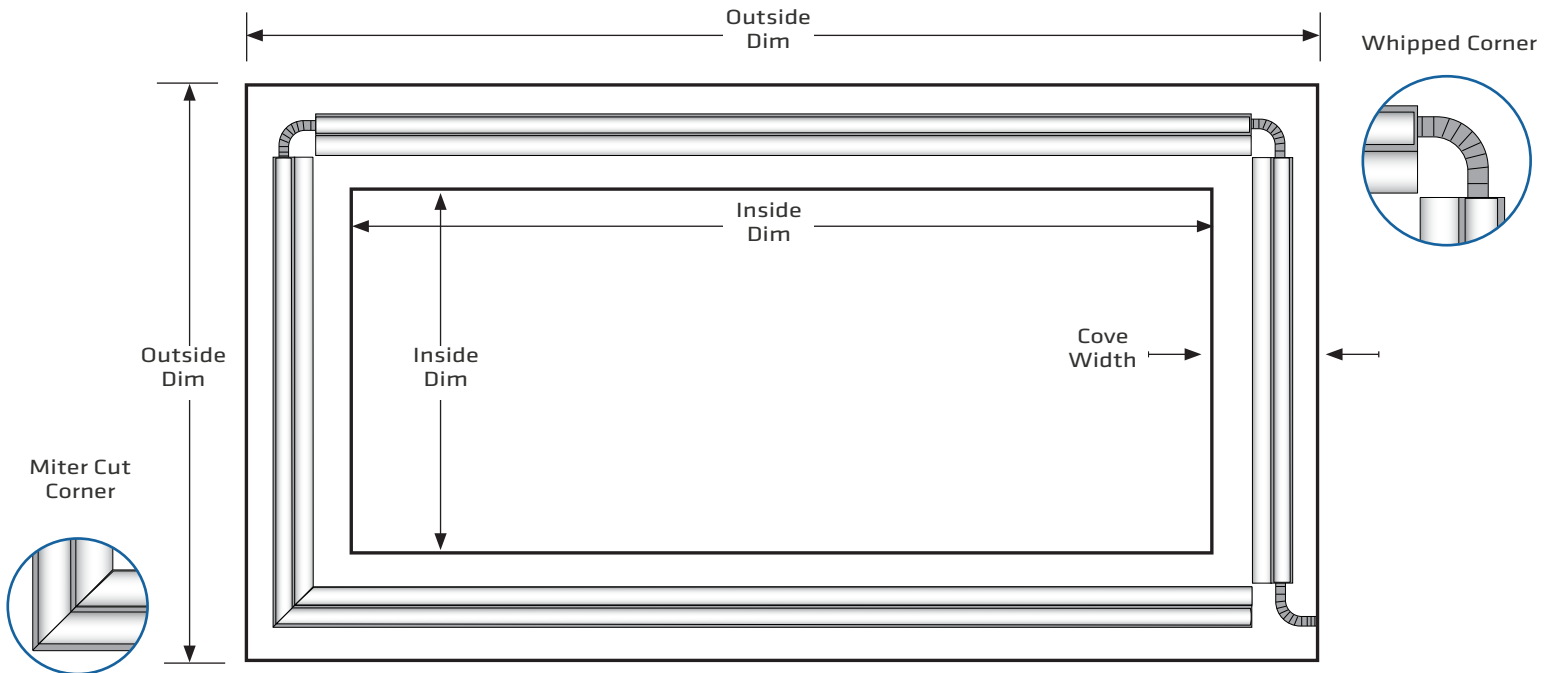
FIXTURE LENGTHS

Refer to the chart below for standard lengths.
 Lengths can be ordered in shorter or longer lengths than the ones specified below.
 12' Long is the maximum length in one single & continuous channel, longer lengths are made by connecting end to end multiple fixtures.
 Custom patterns, and custom runs configuration require a drawing or template.
 For cove lighting specify the overall length of your cove and we will determine the number and length of fixtures for the overall length required.

NOMINAL LENGTH	2'	3'	4'	5'	6'	7'	8'	9'	10'	11'	12'	OTHER SPECIFY	PTN Pattern
ACTUAL LENGTH	25"	34"	49"	56"	73"	89"	97"	111"	121"	133"	145"		

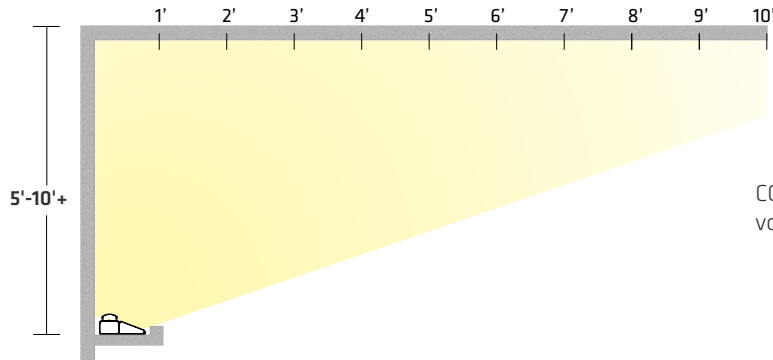
PATTERNS

Whipped corners are the optimal solution and offer installation "wobble room" making exact tolerances less critical. For closed coffers we need at least 4 of the following 5 measurements for best results. Mitered corners are possible but require exact measurements.

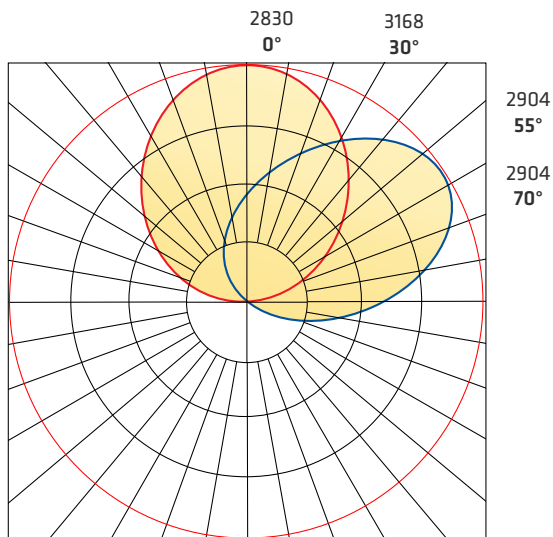


COVE 5+ (CV5+) SERIES

LIGHTING GUIDE AND PHOTOMETRICS

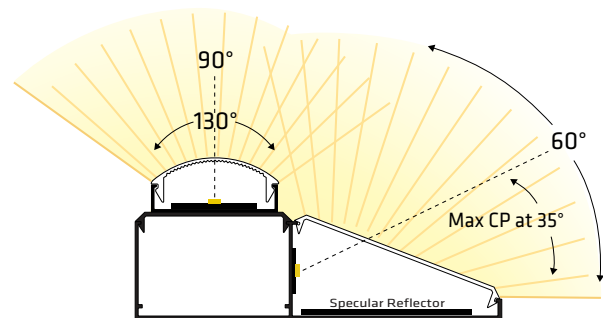


COVE 5+ is designed for high ceilings and voluminous cove applications.

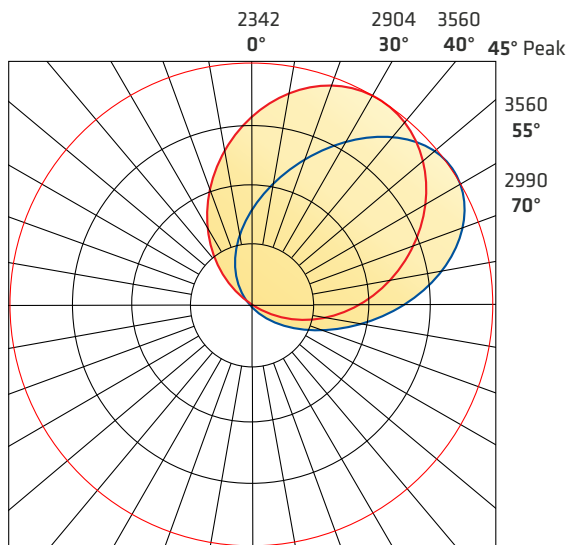


CANDELA DISTRIBUTION CURVE

Preliminary testing
3500K (High) / 2450 L / FT (Dual LEDs)
Values shown in candela.

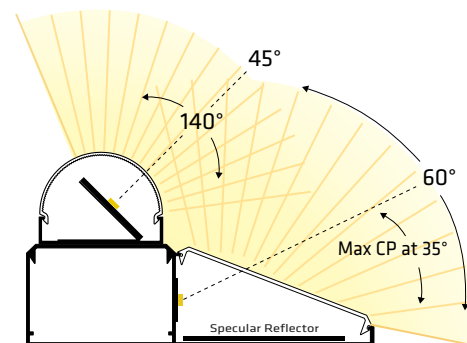


CV5+
COVE 5 PLUS



CANDELA DISTRIBUTION CURVE

Preliminary testing
3500K (High) / 2450 L / FT (Dual LEDs)
Values shown in candela.



CV5+A
COVE 5 PLUS ASYMMETRIC