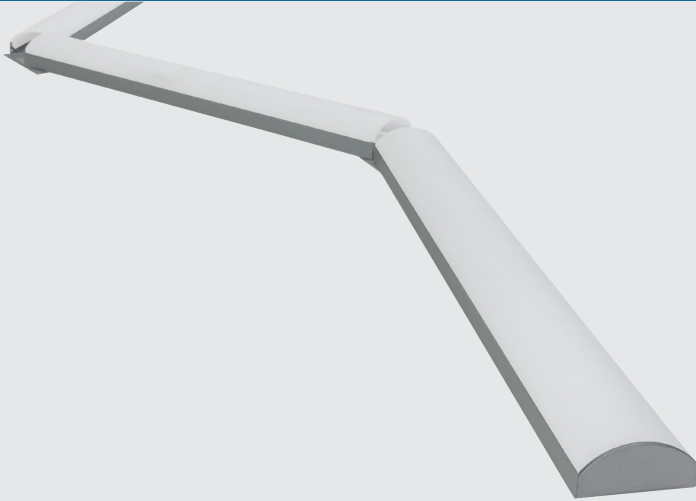


# COVE 1 - (CV1) SERIES

FIELD CURVABLE COVE / INDIRECT LIGHTING



PROJECT

TYPE

NOTES

## FEATURES

### LOW PROFILE

Small designs for tight spaces, remote drivers.

### CONSTRUCTION

High quality precision extruded aluminum that has a superior strength-to-weight ratio than steel allowing for longer runs and a premium finish and wide spread acrylic lens for broad even light distribution.

### FIELD CURVABLE

Field curvable feature allows you to shape the fixture to any architectural contour or curve as tight as a 2' radius.

### STRAIGHT CONFIGURATION

Continuous straight runs up to 12' in length with one single extrusion. Longer runs are made using multiple sections.

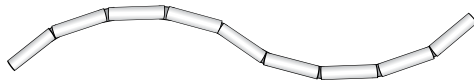
### CUSTOMIZATION

Many options of the latest LED types, LED colors, drivers, finishes, configurations, mounting & lengths to customize your fixture.



CV1

CV1A



(FLX) FIELD CURVABLE



(ST) STRAIGHT

SERIES	LED TYPE	LUMENS	REMOTE DRIVER	CONFIGURATION	MOUNTING	FINISH	LENGTH
CV1 CV1 A	<b>STANDARD LED</b>	<b>FOR STANDARD LED</b>	<b>FOR STANDARD LED</b>	<b>FLX</b> FIELD CURVABLE	<b>SM</b> STANDARD MOUNT	<b>W</b> WHITE <b>S</b> SATIN <b>B</b> BLACK <b>C</b> CUSTOM	SPECIFY
	<b>27K</b> 2700k	<b>L</b> LOW	<b>UNV0%</b> 0-10V0%				
	<b>30K</b> 3000k	<b>M</b> MEDIUM	<b>UNV1%</b> 0-10V1%	<b>ST</b> STRAIGHT	<b>TB</b> TAB MOUNT (Optional)		
	<b>35K</b> 3500k	<b>H</b> HIGH	<b>UNV10%</b> 0-10V10%				
	<b>40K</b> 4000k	<b>CL</b> CUSTOM LUMENS	<b>UNVCD%</b> 0-10VCD	<b>TRIAC</b> 2 WIRE			
				<b>DALI</b> DALI			
				<b>LTRN</b> LUTRON			
	<b>SPECIAL LED</b>	<b>FOR SPECIAL LED</b>	<b>FOR SPECIAL LED</b>				
	<b>R</b> RED	Specify required lumens	Refer to driver options in compatibility chart				
	<b>G</b> GREEN						
<b>B</b> BLUE							
<b>RGBW</b> RGBW	or consult factory	or consult factory					
<b>DTW</b> DIM TO WARM							
<b>TW</b> TUNABLE WHITE							
Refer to PG.1,2	Refer to PG. 3	Refer to PG. 3	Refer to PG. 3	Refer to PG. 4	Refer to PG. 5	Refer to PG. 5	Refer to PG. 6

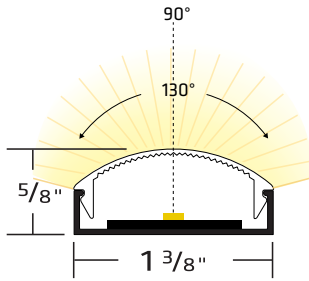


# COVE 1 - (CV1) SERIES

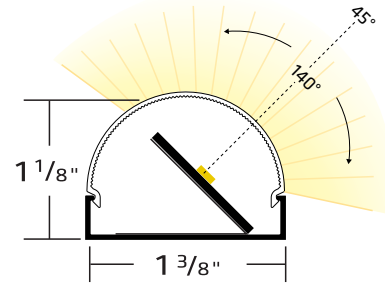
## SERIES - SPECIFICATIONS



### SERIES



**CV1**  
COVE 1



**CV1A**  
COVE 1 ASYMMETRIC

## SPECIFICATIONS

### HOUSING

High quality extruded aluminum snap together housing up to 12' long

### LENS

Extruded semi-rounded and rounded snap on DR acrylic with white frosted finish for widespread even distribution.

### LED'S

**Standard** LED'S 72,000 hours. (L70), High uniformity 90CRI, 2700K TO 4000K, refer to page 3 for lumen options and details.

**Special** LED'S red, green, blue, RGBW, Dim to warm, Tunable white, refer to page 3 for details and options.

### LED DRIVERS

Remote, included, universal voltage ( 120/277), 0-1 OV with custom program dimming options, Triac, Dali, Lutron, refer to page 3 for LED driver options and details.

### OPTIONS

(FLX) Field curvable or (ST) Straight configurations, consult factory for other options or requirements, refer to page 4 for details.

### ENDCAPS

Pre-installed aluminum endcaps match housing finish.

### MOUNTING

Two options, standard screw mount and tab screw mount, refer to page 5 for details.

### FINISH

Powder coat and Satin anodized, refer to page 5 for standard and custom finish options.

### FIXTURE LENGTHS

Custom lengths, specify the overall length required. Refer to page 6 for more details on fixture lengths.

### LEADWIRE

Pre-wired 5' SJT standard. Longer available, refer to page 6 for more details.

### COMPLIANCE CERTIFICATIONS



# COVE 1 - (CV1) SERIES

## LED TYPES-DRIVERS-COMPATIBILITY



### LED TYPES

STANDARD LED'S		DESCRIPTION									
COLOR	CRI	(L) LOW LUMENS			(M) MEDIUM LUMENS			(H) HIGH LUMENS			
<b>27k</b>	2700K	CRI 90	433 L/FT	3.5 W/FT	120 L/W	760 L/FT	6.5 W/FT	117 L/W	1026 L/FT	9.0 W/FT	114 L/W
<b>30k</b>	3000K	CRI 90	448 L/FT	3.5 W/FT	124 L/W	787 L/FT	6.5 W/FT	121 L/W	1062 L/FT	9.0 W/FT	118 L/W
<b>35k</b>	3500K	CRI 90	463 L/FT	3.5 W/FT	129 L/W	814 L/FT	6.5 W/FT	125 L/W	1098 L/FT	9.0 W/FT	122 L/W
<b>40k</b>	4000K	CRI 90	478 L/FT	3.5 W/FT	133 L/W	840 L/FT	6.5 W/FT	129 L/W	1134 L/FT	9.0 W/FT	126 L/W

**(CL)** Custom Lumens. Custom and higher lumen available. Other colors and higher Kelvin also available, consult factory.

SPECIAL LED'S	DESCRIPTION		LUMENS
<b>R</b>	RED	Static Red LED	Specify Required Lumens or Consult factory
<b>G</b>	GREEN	Static Green LED	
<b>B</b>	BLUE	Static Blue LED	
<b>RGBW</b>	RGBW	Color Tuning	
<b>DTW</b>	DIM TO WARM	4000k - 1800K	
<b>TW</b>	TUNABLE WHITE	2700k - 6500k	

Specify or consult factory for any other type of LED requirements not shown above such as led type, LED color, lumens, etc.

### LED DRIVERS (Remote only, drivers with enclosure are included)

DRIVER	DESCRIPTION			
<b>UNV0%</b>	0 - 10V Dimming Driver	0% Dimming ( Dim to Off)	120/277V	( 347V Available )
<b>UNV1%</b>	0 - 10V Dimming Driver	1% Dimming	120/277V	( 347V Available )
<b>UNV10%</b>	0 - 10V Dimming Driver	10% Dimming	120/277V	( 347V Available )
<b>UNV(CD)%</b>	0 - 10V Dimming Driver	Custom Dimming (Specify %)	120/277V	( 347V Available )
<b>TRIAC</b>	2 Wire Dimming Driver	2 Wire Phase Triac Dimming	120/277V	
<b>DALI</b>	Dali Dimming Driver	Dali, Specify Dali Type Required	120/277V	( 347V Available )
<b>LTRN</b>	Lutron Dimming Driver	Lutron, Specify Type Required	120/277V	

Specify or consult factory for any other type of LED DRIVER requirements not shown above.

### LED TYPES & DRIVERS COMPATIBILITY

STANDARD LED'S	DRIVER						
<b>27k</b>	UNV0%	UNV1%	UNV10%	UNV(CD)%	TRIAC	DALI	LUTRON
<b>30k</b>	UNV0%	UNV1%	UNV10%	UNV(CD)%	TRIAC	DALI	LUTRON
<b>35k</b>	UNV0%	UNV1%	UNV10%	UNV(CD)%	TRIAC	DALI	LUTRON
<b>40k</b>	UNV0%	UNV1%	UNV10%	UNV(CD)%	TRIAC	DALI	LUTRON
<b>SPECIAL LED'S</b>							
<b>R</b>	UNV0%	UNV1%	UNV10%	UNV(CD)%	TRIAC	DALI	LUTRON
<b>G</b>	UNV0%	UNV1%	UNV10%	UNV(CD)%	TRIAC	DALI	LUTRON
<b>B</b>	UNV0%	UNV1%	UNV10%	UNV(CD)%	TRIAC	DALI	LUTRON
<b>RGBW</b>						DALI	LUTRON
<b>DTW</b>	UNV0%	UNV1%	UNV10%	UNV(CD)%		DALI	LUTRON
<b>TW</b>	UNV0%	UNV1%	UNV10%	UNV(CD)%		DALI	LUTRON

Specify or consult factory for any other type of LED DRIVER requirements not shown above.

# COVE 1 - (CV1) SERIES

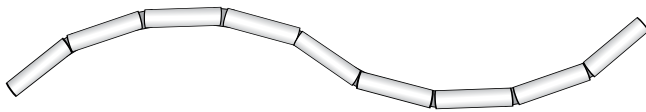
## CONFIGURATIONS



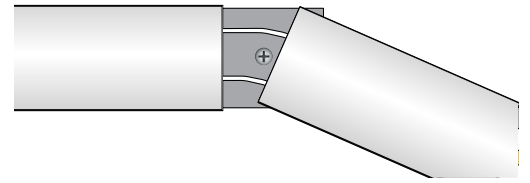
### (FLX) - FLEXIBLE, FIELD CURVABLE

FLX configuration is flexible, field curvable, field adjustable & field connectable. Runs are shipped in pre-wired and pre-attached modules, and sections that join end to end. The number of fixtures and modules can vary depending on the overall run length of fixture and or cove requirements. See below for minimum cove width and radius recommended requirements. This system is quoted by the foot and not by fixtures or modules.

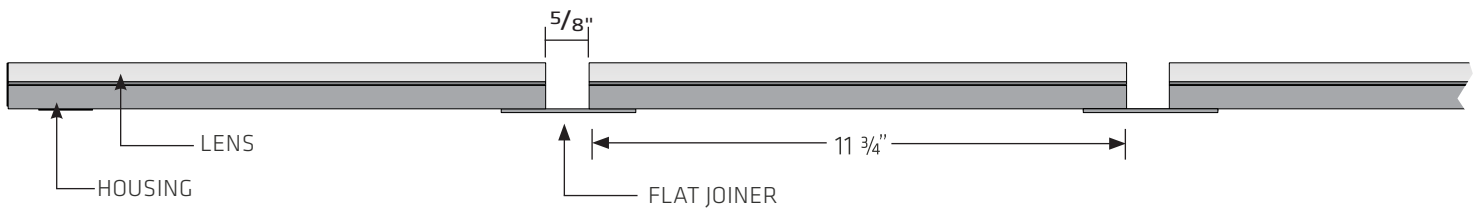
TOP VIEW



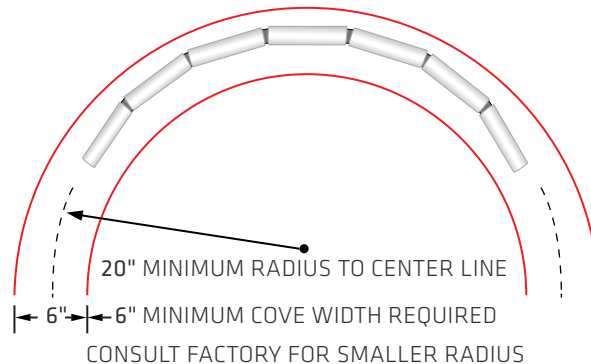
FLAT JOINER



SIDE VIEW



### MINIMUM RADIUS AND COVE REQUIREMENTS



### (ST) - STRAIGHT

Straight fixtures can be made up to 12' long. Longer runs can be made in the field by using multiple fixtures. The number and length of the fixtures can vary depending on the total lumens and watts requirements and pattern layout requirements. Straight fixtures are also quoted by the foot.

TOP VIEW

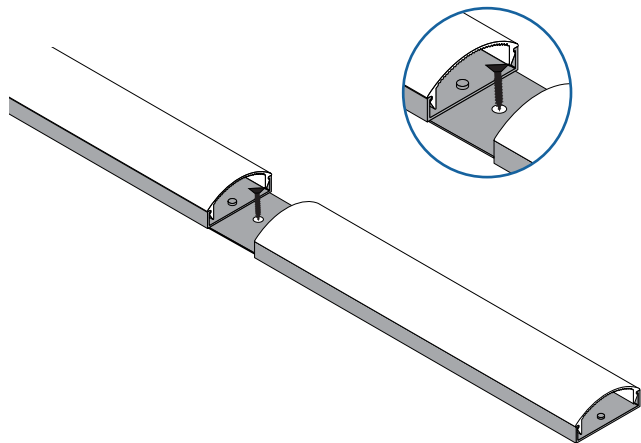


# COVE 1 - (CV1) SERIES

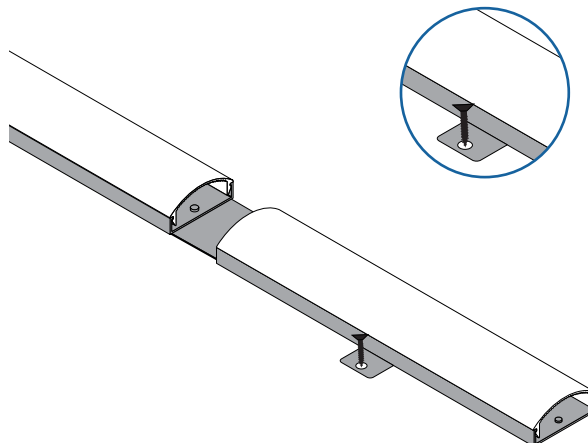
## MOUNTING - FINISH



### (FLX) MOUNTING OPTIONS

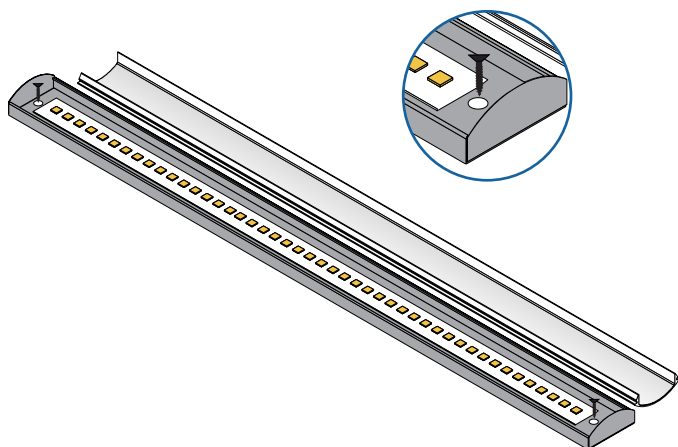


**SM - STANDARD MOUNT**

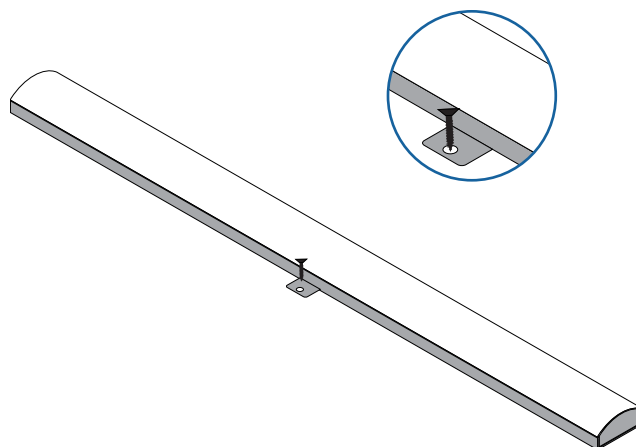


**TM - TAB MOUNT  
(Optional)**

### (ST) MOUNTING OPTIONS



**SM - STANDARD MOUNT**



**TM - TAB MOUNT  
(Optional)**

### FINISH OPTIONS

White & Satin are standard finishes.

White or Satin finishes are recommended for cove and indirect lighting applications.

The actual color of the product may vary from what is seen on electronic devices.

We cannot guarantee that the color you see on your screen accurately reflects the true color of the product.



**W - WHITE**

(Powder Coat, Standard)



**S - SATIN**

(Clear Anodized, Standard)



**B - BLACK**

(Powder Coat, not Standard)



**C - CUSTOM COLOR**

(Not standard, provide RAL#)

# COVE 1 - (CV1) SERIES

## FIXTURE LENGTHS AND LAYOUT



### FIXTURE LENGTHS

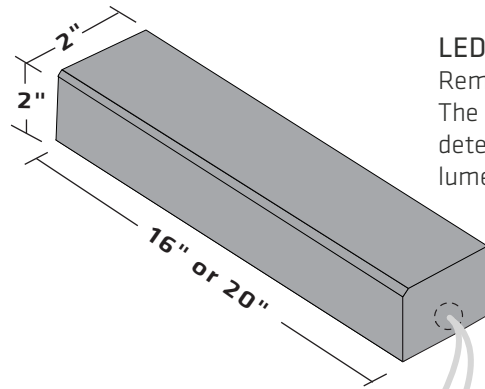
<b>(FLX)</b>	<b>FIELD CURVABLE</b>	Specify the overall fixture lengths for both field curvable (FLX) and straight (ST) configurations in the part number length fillable text box found on page 1 (example: 25' 6") Fixture runs are built to the closest nominal length.
<b>(ST)</b>	<b>STRAIGHT</b>	

### LAYOUT

See LED Drivers and fixtures layout below, this information applies to both configurations (ST) - Straight and (FLX) - Field Curvable fixtures.

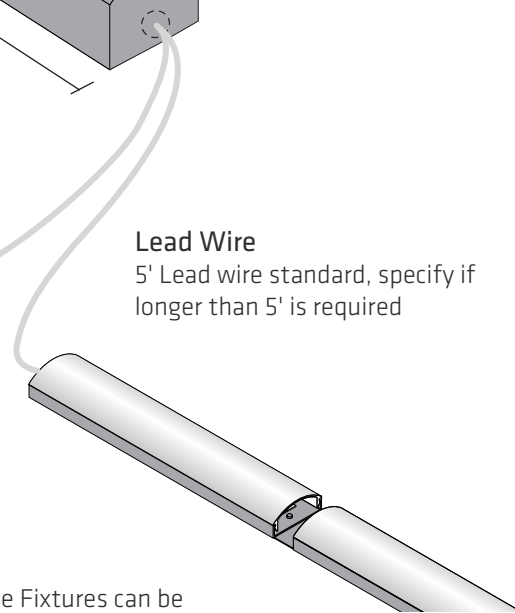
#### LED Drivers

Remote LED Driver with enclosure included.  
The number and size of the led drivers will be determined by Primus Lighting depending on the lumens, watts and fixture overall length requirements.



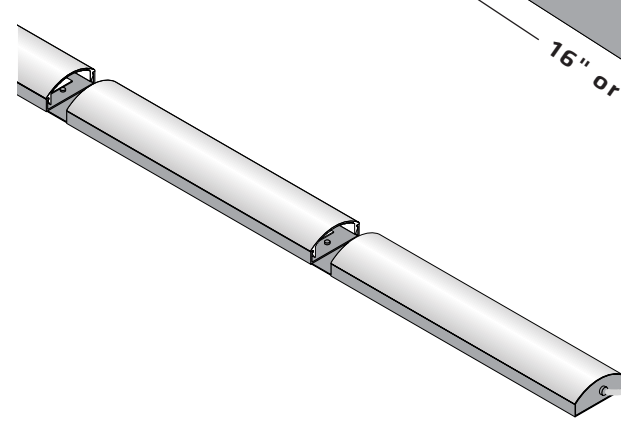
#### Lead Wire

5' Lead wire standard, specify if longer than 5' is required

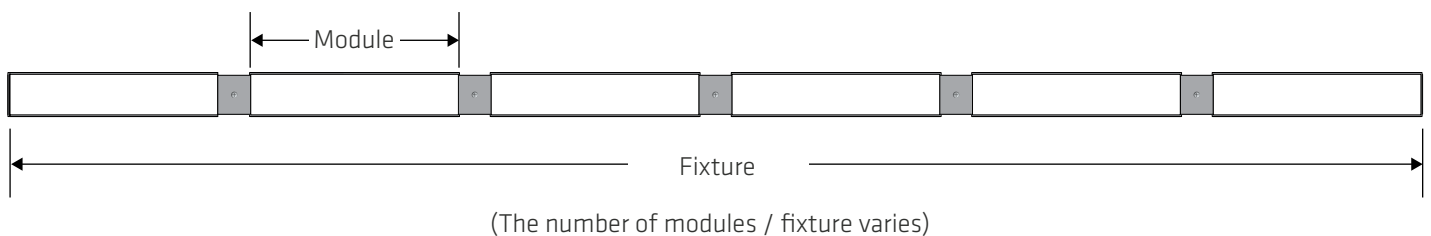


#### Fixtures and Modules

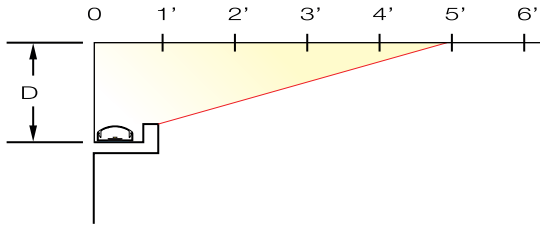
The number of modules per fixture varies and will be determined by Primus Lighting depending on the lumens, watts and overall fixture length requirements.



**NOTE:** In some applications, multiple Fixtures can be connected to one single driver when the total watts of the fixtures do not exceed the driver max watts capacity.



### CEILING COVE LIGHTING

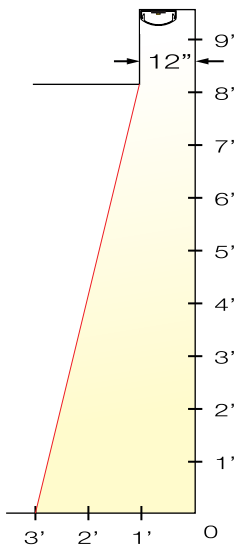


### CEILING COVE FOOTCANDLES

D	1'	2'	3'	4'	5'	6'	7'	8'	9'
12"	110	21	5.7	3	1.6	1.3	1.1	1	1
18"	110	34	13.9	5	3.1	1.6	1.3	1.1	1.1
24"	102	42	17.8	9.5	4	2.7	1.9	1.6	1.1
36"	71	48	27.5	11.6	6.9	6.5	4.5	2.4	1.9

Calculation using "LOW" lumen board 625L x 3500K

### WALL LIGHTING



FLOOR

### WALL WASH COVE FOOTCANDLES

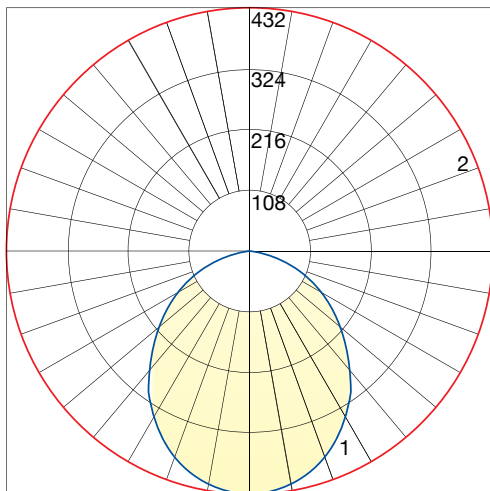
	1'	2'	3'	4'	5'	6'	7'	8'	9'
WALL	3.4	3.8	4.7	6.1	8.6	12.6	19.4	43	92
FLOOR	2.4	3.4	3.6	3.4	3.4	2.9	2.6	1.6	1.3

Calculation using "LOW" new lumen board 625L x 3500K

### CONVERSION CHART

LUMENS	27K	3K	35K	4K
LOW	.90	.96	1	1.06
MEDIUM	1.75	1.86	1.97	2.05
HIGH	2.05	2.11	2.57	2.64

### PHOTOMETRICS



FILE NAME: L10137801R01.IE S

### POLAR GRAPH

Maximum Candela = 432  
 Located at Horizontal Angle = 0 Vertical Angle = 0  
 # 1 Vertical Plane Trough Horizontal Angles (0-180) (Trough Max. Cd.)  
 # 2 Horizontal Cone Trough Vertical Angle (0) (Trough Max. Cd.)